



30 AMP POWERTITE™ SERIES PIN AND SLEEVE PLUGS, CONNECTORS AND RECEPTACLES

SUITABLE APPLICATIONS

- Designed to supply power to portable or fixed electrical equipment such as motor generator units, welders, pumps, compressors, cellular relay stations, and similar apparatus.
- Ideal for use on shipping docks, ports, and other “ship to shore” applications.
- Suitable for use in locations where a weatherproof enclosure is required.
- Rough usage construction.

FEATURES

- Pin and sleeve design: solid brass pressure wire terminal contacts with beryllium copper springs
 - Energized contacts deeply recessed to reduce danger of accidental touching, minimize possibility of exposed arcs. Insulator quenches arcing, and is resistant to abnormal heat and to fire.
 - Plug mechanical cable clamps provide strain relief conductor connections, allow easy cable replacement.
 - Pressure wire terminals allow cable to be readily replaced when necessary. Terminal screws grip conductors firmly. Spring contacts provide constant pressure.
- Available in two grounding styles:
 - Style 1 (shell only):
 - Plug—Equipment grounding conductor is wired directly to solderless lug which is connected to the plug housing with a pressure connector. All terminals are “current carrying”.
 - Receptacle—Two detent spring clips engage the grounded plug housing on plug insertion—grounded plug shell makes contact with receptacle ground spring before line and load poles are engaged. Grounding path is maintained until after current-carrying contacts disengage. All terminals are “current carrying”.

- Style 2 (shell and extra pole):
 - Plug—Equipment grounding conductor is not only connected to the solderless lug in the plug housing, but also to an extra grounding pole. Grounding pole has copper alloy grounding jumper strap that connects to plug housing.
 - Receptacle—Two detent spring clips engage grounded plug housing on plug insertion. Jumper from extra grounding pole is electrically connected to a screw on receptacle housing. Longer grounding pole “makes first and breaks last”.
- Neoprene bushing compressed by cable collar prevents entrance of water. Bushing is highly resistant to hydrocarbon deterioration and is self-extinguishing.
- Locking screw and slot prevents plug cable collar from “backing off”.
- Contacts exert constant pressure along entire contact surface and provide electrical continuity.
- Ambient temperature range of -25°C to +40°C (-13°F to +104°F).
- Insulating blocks provide greatest dielectric and mechanical strength and lowest arc tracking.
- Positive polarization: only plugs and receptacles of same style, number of poles and ampere rating can be used together.
- Circuit breaking: any arcing created as line and load terminals disengage is safely confined deep within terminal cavities. Plugs may be withdrawn in an emergency under full rated loads without separate disconnect switches.
- 30 Amp Powertite plugs also suitable for classified locations when used with Appleton EBR, EBRH, JBR, MD2SR, or DBR explosionproof interlocking receptacles.
- Controlled length contacts ensure that ground makes first and breaks last for added safety.

STANDARD MATERIALS

- Plug, receptacle, connector and mounting box housings: copperfree (4/10 of 1% max.) aluminum
- Insulating blocks: glass filled polyester

STANDARD FINISHES

- Aluminum plug, receptacle, connector and mounting box housings: epoxy powder coat
- Insulating blocks and contacts: natural finish

OPTIONS

- Special Polarization add suffix **-P4** to Catalog Number.
- Reverse Service (Generator Application) add suffix **-RS** to Catalog Number.

ACCESSORIES/REPLACEMENT PARTS

- Environmental Plug Caps
- Plug and Receptacle Interiors
- ACP Plug Clamping Rings
- Spring Door and Receptacle Screw Covers
- Bushing Bags for Plugs and Connectors
- Receptacle Ground Lug Kits
(See Replacement Parts page in Appleton Master Catalog)

NEC/CEC RATINGS

- UL Standard: UL 1682, UL 1686, UL 50E
- UL Listed: E145916, E145917
- CSA Standard: C22.2 No. 182.1
- CSA Certified: 065179
- NEMA 4X
- NEMA Configuration: FB11

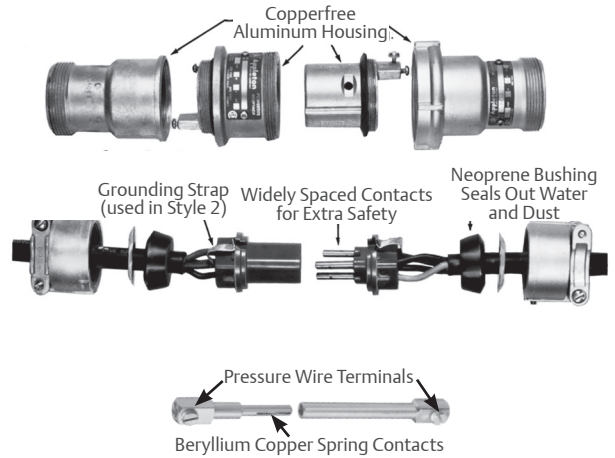
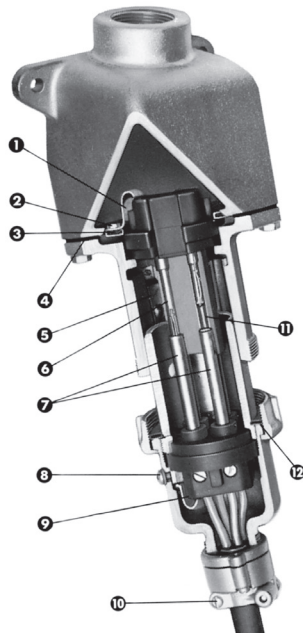
APPLETON

For product information:
www.masteringled.com
1.800.621.1506



CONSIDER IT SOLVED™

1. Grounding strap in Style 2 receptacle from extra pole to receptacle housing.
2. Screw locks receptacle housing and interior into an assembly and permits easy field conversion to reverse service for 30, 60, 100, 150, and 200 Amp.
3. Receptacle interior retaining washers.
4. Raintight mounting box gasket.
5. Grounding detent springs in Style 1 and Style 2.
6. Longer ground terminal in Style 2 receptacle "makes first, breaks last."
7. Floating-type plug terminal self-aligns to receptacle contacts.
8. Screw locks plug housing and interior into an assembly; also permits easy field conversion to reverse service (30, 60, 100, and 150 Amp).
9. Grounding strap in Style 2 plug from extra pole to plug housing.
10. Cable grip assembly.
11. Arc snuffing chamber.
12. Plug with clamping ring has neoprene gasket. Ring threads onto screw cap receptacle to provide NEMA 4X assembly when properly tightened.



HORSEPOWER RATINGS FOR EMERGENCY DISCONNECT UNDER LOAD

- Plug may be withdrawn in an emergency if within these maximum HP ratings. Not for normal starting and stopping.

Phase Motor	Wire/Pole	Motor Horsepower			
		120 Vac	240 Vac	480 Vac	600 Vac
1-Phase	2W, 2P or 2W, 3P	2HP	3HP	10HP	10HP
3-Phase	3W, 3P; 3W, 4P; or 4W, 4P	3HP	7-1/2HP	15HP	20HP

SELECTION CHART

Grounding Style	Wire/Pole	Hub Size (Inches)	Receptacle with AEE Mounting Box ①	Receptacle Only ③	Metallic Clamping Ring Plug ②④	Connector Body Only	Cable Diameter (Inches)
Style 1 (Shell Only)	2W, 2P	1/2	ADRE3022-50	ADR3022	ACP3022BC	ARC3022BC	0.500 to 1.250
		3/4	ADRE3022-75				
	3W, 3P	3/4	ADRE3033-75	ADR3033	ACP3033BC	ARC3033BC	
		1	ADRE3033-100				
Style 2 (Shell and Extra Pole)	2W, 3P	3/4	ADRE3023-75	ADR3023	ACP3023BC	ARC3023BC	
		1	ADRE3023-100				
	3W, 4P	3/4	ADRE3034-75	ADR3034	ACP3034BC	ARC3034BC	
		1	ADRE3034-100				

Receptacles are provided with spring door and screw cover.

For Reverse Service, add suffix **-RS** to Catalog Number.

For Special Polarization, add suffix **-P4** to Catalog Number.

① For additional mounting boxes, see Aluminum Mounting Boxes in Appleton Master Catalog.

② Plug and receptacle combination is NEMA 4X rated when clamping ring is fully tightened on receptacle.

③ Receptacle is NEMA 4X rated when screw cover is fully engaged when the receptacle is not in use.

④ Plug and connector body combination is NEMA 4X rated when clamping ring is fully tightened on connector body.



60 AMP POWERTITE™ SERIES PIN AND SLEEVE PLUGS, CONNECTORS AND RECEPTACLES

SUITABLE APPLICATIONS

- Designed to supply power to portable or fixed electrical equipment such as motor generator units, welders, pumps, compressors, cellular relay stations, and similar apparatus.
- Ideal for use on shipping docks, ports, and other “ship to shore” applications.
- Suitable for use in locations where a weatherproof enclosure is required.
- Rough usage construction.

FEATURES

- Pin and sleeve design: solid brass pressure wire terminal contacts with beryllium copper springs
 - Energized contacts deeply recessed to reduce danger of accidental touching, minimize possibility of exposed arcs. Insulator quenches arcing, and is resistant to abnormal heat and to fire.
 - Plug mechanical cable clamps provide strain relief conductor connections, allow easy cable replacement.
 - Pressure wire terminals allow cable to be readily replaced when necessary. Terminal screws grip conductors firmly. Spring contacts provide constant pressure.
- Available in two grounding styles:
 - Style 1 (shell only):
 - Plug—Equipment grounding conductor is wired directly to solderless lug which is connected to the plug housing with a pressure connector. All terminals are “current carrying”.
 - Receptacle—Two detent spring clips engage the grounded plug housing on plug insertion—grounded plug shell makes contact with receptacle ground spring before line and load poles are engaged. Grounding path is maintained until after current-carrying contacts disengage. All terminals are “current carrying”.

- Style 2 (shell and extra pole):
 - Plug—Equipment grounding conductor is not only connected to the solderless lug in the plug housing, but also to an extra grounding pole. Grounding pole has copper alloy grounding jumper strap that connects to plug housing.
 - Receptacle—Two detent spring clips engage grounded plug housing on plug insertion. Jumper from extra grounding pole is electrically connected to a screw on receptacle housing. Longer grounding pole “makes first and breaks last”.
- Neoprene bushing compressed by cable collar prevents entrance of water. Bushing is highly resistant to hydrocarbon deterioration and is self-extinguishing.
- Locking screw and slot prevents plug cable collar from “backing off”.
- Contacts exert constant pressure along entire contact surface and provide electrical continuity.
- Ambient temperature range of -25°C to +40°C (-13°F to +104°F).
- Insulating blocks provide greatest dielectric and mechanical strength and lowest arc tracking.
- Positive polarization: only plugs and receptacles of same style, number of poles and ampere rating can be used together.
- Circuit breaking: any arcing created as line and load terminals disengage is safely confined deep within terminal cavities. Plugs may be withdrawn in an emergency under full rated loads without separate disconnect switches.
- 60 Amp PowerTite plugs also suitable for classified locations when used with Appleton EBR, EBRH, JBR, MD2SR, or DBR explosionproof interlocking receptacles.
- Controlled length contacts ensure that ground makes first and breaks last for added safety.

STANDARD MATERIALS

- Plug, receptacle, connector and mounting box housings: copperfree (4/10 of 1% max.) aluminum
- Insulating blocks: glass filled polyester

STANDARD FINISHES

- Aluminum plug, receptacle, connector and mounting box housings: epoxy powder coat
- Insulating blocks and contacts: natural finish

OPTIONS

- Special Polarization add suffix **-P4** to Catalog Number.
- Reverse Service (Generator Application) add suffix **-RS** to Catalog Number.

ACCESSORIES/REPLACEMENT PARTS

- Environmental Plug Caps
- Plug and Receptacle Interiors
- ACP Plug Clamping Rings
- Spring Door and Receptacle Screw Covers
- Bushing Bags for Plugs and Connectors
- Receptacle Ground Lug Kits
(See Replacement Parts page in Appleton Master Catalog)

NEC/CEC RATINGS

- UL Standard: UL 1682, UL 1686, UL 50E
- UL Listed: E145916, E145917
- CSA Standard: C22.2 No. 182.1
- CSA Certified: 065179
- NEMA 4X
- NEMA Configuration: FB11

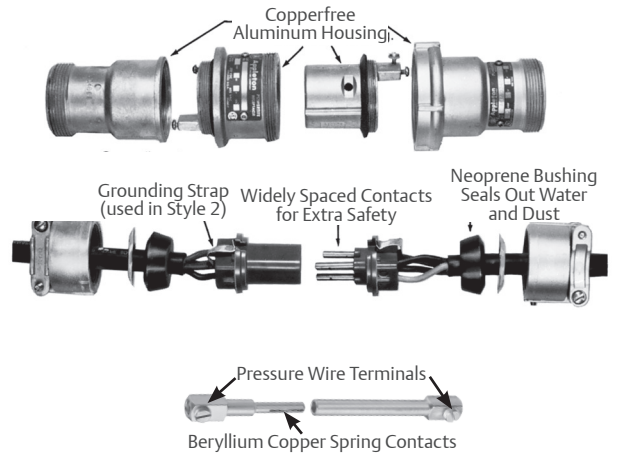
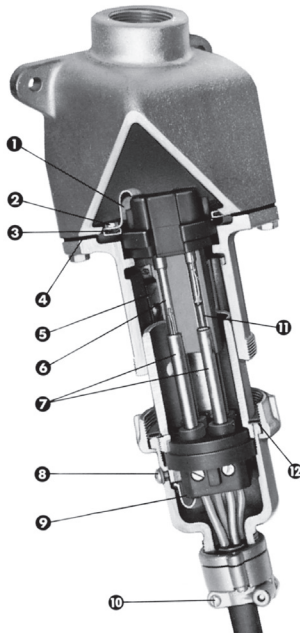
APPLETON™

For product information:
www.masteringled.com
1.800.621.1506



CONSIDER IT SOLVED™

1. Grounding strap in Style 2 receptacle from extra pole to receptacle housing.
2. Screw locks receptacle housing and interior into an assembly and permits easy field conversion to reverse service for 30, 60, 100, 150, and 200 Amp.
3. Receptacle interior retaining washers.
4. Raintight mounting box gasket.
5. Grounding detent springs in Style 1 and Style 2.
6. Longer ground terminal in Style 2 receptacle "makes first, breaks last."
7. Floating-type plug terminal self-aligns to receptacle contacts.
8. Screw locks plug housing and interior into an assembly; also permits easy field conversion to reverse service (30, 60, 100, and 150 Amp).
9. Grounding strap in Style 2 plug from extra pole to plug housing.
10. Cable grip assembly.
11. Arc snuffing chamber.
12. Plug with clamping ring has neoprene gasket. Ring threads onto screw cap receptacle to provide NEMA 4X assembly when properly tightened.



HORSEPOWER RATINGS FOR EMERGENCY DISCONNECT UNDER LOAD

- Plug may be withdrawn in an emergency if within these maximum HP ratings. Not for normal starting and stopping.

Phase Motor	Wire/Pole	Motor Horsepower			
		120 Vac	240 Vac	480 Vac	600 Vac
1-Phase	2W, 2P or 2W, 3P	3HP	10HP	20HP	20HP
3-Phase	3W, 3P; 3W, 4P; or 4W, 4P	7-1/2HP	15HP	30HP	30HP

SELECTION CHART

Grounding Style	Wire/Pole	Hub Size (Inches)	Receptacle with AEE Mounting Box ①	Receptacle with AJA Mounting Box ①	Receptacle Only ③	Metallic Clamping Ring Plug ②④	Connector Body Only	Cable Diameter (Inches)
Style 1 (Shell Only)	2W, 2P	1	ADRE6022-100	ADJA6022-100	ADR6022	ACP6022BC	ARC1022BC	0.500 to 1.250
		1-1/4	ADRE6022-125	ADJA6022-125				
	3W, 3P	1	ADRE6033-100	ADJA6033-100	ADR6033	ACP6033BC	ARC1033BC	
		1-1/4	ADRE6033-125	ADJA6033-125				
	4W, 4P	1-1/4	ADRE6044-125	ADJA6044-125	ADR6044	ACP6044BC	ARC1044BC	
		1-1/2	ADRE6044-150	ADJA6044-150				
Style 2 (Shell and Extra Pole)	2W, 3P	1	ADRE6023-100	ADJA6023-100	ADR6023	ACP6023BC	ARC1023BC	
		1-1/4	ADRE6023-125	ADJA6023-125				
	3W, 4P	1-1/4	ADRE6034-125	ADJA6034-125	ADR6034	ACP6034BC	ARC1034BC	
		1-1/2	ADRE6034-150	ADJA6034-150				

Receptacles are provided with spring door and screw cover.

For Reverse Service, add suffix **-RS** to Catalog Number.

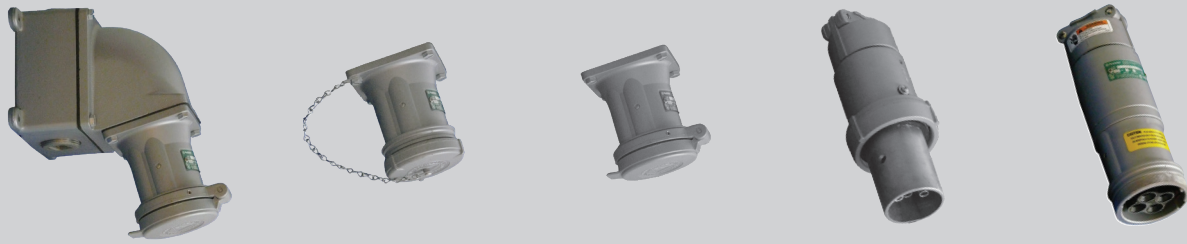
For Special Polarization, add suffix **-P4** to Catalog Number.

① For additional mounting boxes, see Aluminum Mounting Boxes in Appleton Master Catalog.

② Plug and receptacle combination is NEMA 4X rated when clamping ring is fully tightened on receptacle.

③ Receptacle is NEMA 4X rated when screw cover is fully engaged when the receptacle is not in use.

④ Plug and connector body combination is NEMA 4X rated when clamping ring is fully tightened on connector body.



100 AMP POWERTITE™ SERIES PIN AND SLEEVE PLUGS, CONNECTORS AND RECEPTACLES

SUITABLE APPLICATIONS

- Designed to supply power to portable or fixed electrical equipment such as motor generator units, welders, pumps, compressors, cellular relay stations, and similar apparatus.
- Ideal for use on shipping docks, ports, and other “ship to shore” applications.
- Suitable for use in locations where a weatherproof enclosure is required.
- Rough usage construction.

FEATURES

- Pin and sleeve design: solid brass pressure wire terminal contacts with beryllium copper springs
 - Energized contacts deeply recessed to reduce danger of accidental touching, minimize possibility of exposed arcs. Insulator quenches arcing, and is resistant to abnormal heat and to fire.
 - Plug mechanical cable clamps provide strain relief conductor connections, allow easy cable replacement.
 - Pressure wire terminals allow cable to be readily replaced when necessary. Terminal screws grip conductors firmly. Spring contacts provide constant pressure.
- Available in two grounding styles:
 - Style 1 (shell only):
 - Plug—Equipment grounding conductor is wired directly to solderless lug which is connected to the plug housing with a pressure connector. All terminals are “current carrying”.
 - Receptacle—Two detent spring clips engage the grounded plug housing on plug insertion—grounded plug shell makes contact with receptacle ground spring before line and load poles are engaged. Grounding path is maintained until after current-carrying contacts disengage. All terminals are “current carrying”.

- Style 2 (shell and extra pole):
 - Plug—Equipment grounding conductor is not only connected to the solderless lug in the plug housing, but also to an extra grounding pole. Grounding pole has copper alloy grounding jumper strap that connects to plug housing.
 - Receptacle—Two detent spring clips engage grounded plug housing on plug insertion. Jumper from extra grounding pole is electrically connected to a screw on receptacle housing. Longer grounding pole “makes first and breaks last”.
- Neoprene bushing compressed by cable collar prevents entrance of water. Bushing is highly resistant to hydrocarbon deterioration and is self-extinguishing.
- Locking screw and slot prevents plug cable collar from “backing off”.
- Contacts exert constant pressure along entire contact surface and provide electrical continuity.
- Ambient temperature range of -25°C to +40°C (-13°F to +104°F).
- Insulating blocks provide greatest dielectric and mechanical strength and lowest arc tracking.
- Positive polarization: only plugs and receptacles of same style, number of poles and ampere rating can be used together.
- Circuit breaking: any arcing created as line and load terminals disengage is safely confined deep within terminal cavities. Plugs may be withdrawn in an emergency under full rated loads without separate disconnect switches.
- 100 Amp Powertite plugs also suitable for classified locations when used with Appleton EBR, EBRH, JBR, MD2SR, or DBR explosionproof interlocking receptacles.
- Controlled length contacts ensure that ground makes first and breaks last for added safety.

STANDARD MATERIALS

- Plug, receptacle, connector and mounting box housings: copperfree (4/10 of 1% max.) aluminum
- Insulating blocks: glass filled polyester

STANDARD FINISHES

- Aluminum plug, receptacle, connector and mounting box housings: epoxy powder coat
- Insulating blocks and contacts: natural finish

OPTIONS

- Special Polarization add suffix **-P4** to Catalog Number.
- Reverse Service (Generator Application) add suffix **-RS** to Catalog Number.

ACCESSORIES/REPLACEMENT PARTS

- Environmental Plug Caps
- Plug and Receptacle Interiors
- ACP Plug Clamping Rings
- Spring Door and Receptacle Screw Covers
- Bushing Bags for Plugs and Connectors
- Receptacle Ground Lug Kits
(See Replacement Parts page in Appleton Master Catalog)

NEC/CEC RATINGS

- UL Standard: UL 1682, UL 1686, UL 50E
- UL Listed: E145916, E145917
- CSA Standard: C22.2 No. 182.1
- CSA Certified: 065179
- NEMA 4X
- NEMA Configuration: FB11

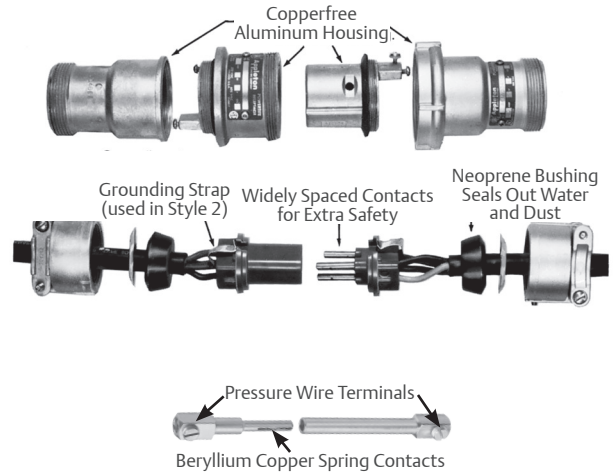
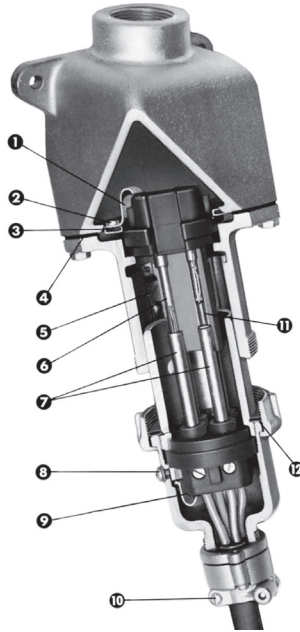
APPLETON™

For product information:
www.masteringled.com
1.800.621.1506

EMERSON™

CONSIDER IT SOLVED™

1. Grounding strap in Style 2 receptacle from extra pole to receptacle housing.
2. Screw locks receptacle housing and interior into an assembly and permits easy field conversion to reverse service for 30, 60, 100, 150, and 200 Amp.
3. Receptacle interior retaining washers.
4. Raintight mounting box gasket.
5. Grounding detent springs in Style 1 and Style 2.
6. Longer ground terminal in Style 2 receptacle "makes first, breaks last."
7. Floating-type plug terminal self-aligns to receptacle contacts.
8. Screw locks plug housing and interior into an assembly; also permits easy field conversion to reverse service (30, 60, 100, and 150 Amp).
9. Grounding strap in Style 2 plug from extra pole to plug housing.
10. Cable grip assembly.
11. Arc snuffing chamber.
12. Plug with clamping ring has neoprene gasket. Ring threads onto screw cap receptacle to provide NEMA 4X assembly when properly tightened.



HORSEPOWER RATINGS FOR EMERGENCY DISCONNECT UNDER LOAD

- Not for normal starting and stopping, but plug may be withdrawn in an emergency if within these maximum HP ratings.

Phase Motor	Wire/Pole	Motor Horsepower			
		120 Vac	240 Vac	480 Vac	600 Vac
1-Phase	2W, 2P or 2W, 3P	7-1/2HP	15HP	30HP	30HP
3-Phase	3W, 3P; 3W, 4P; or 4W, 4P	10HP	20HP	40HP	40HP

SELECTION CHART

Grounding Style	Wire/Pole	Hub Size (Inches)	Receptacle with AJA Mounting Box ①	Receptacle Only ③	Clamping Ring Plug ②④	Connector Body Only	Cable Diameter (Inches)
100 Amp Style 1 (Shell Only)	2W, 2P	1-1/4	ADJA1022-125	ADR1022	ACP1022CD	ARC1022CD	0.875 to 1.906
		1-1/2	ADJA1022-150				
	3W, 3P	1-1/4	ADJA1033-125	ADR1033	ACP1033CD	ARC1033CD	
		1-1/2	ADJA1033-150				
	4W, 4P	1-1/2	ADJA1044-150	ADR1044	ACP1044CD	ARC1044CD	
		2	ADJA1044-200				
100 Amp Style 2 (Shell and Extra Pole)	2W, 3P	1-1/4	ADJA1023-125	ADR1023	ACP1023CD	ARC1023CD	
		1-1/2	ADJA1023-150				
	3W, 4P	1-1/2	ADJA1034-150	ADR1034	ACP1034CD	ARC1034CD	
		2	ADJA1034-200				

Receptacles are provided with spring door and screw cover.
 For Reverse Service, add suffix **-RS** to Catalog Number.
 For Special Polarization, add suffix **-P4** to Catalog Number.

- ① For additional mounting boxes, see Aluminum Mounting Boxes in Appleton Master Catalog.
- ② Plug and receptacle combination is NEMA 4X rated when clamping ring is fully tightened on receptacle.
- ③ Receptacle is NEMA 4X rated when screw cover is fully engaged when the receptacle is not in use.
- ④ Plug and connector body combination is NEMA 4X rated when clamping ring is fully tightened on connector body.



150 AMP POWERTITE™ SERIES PIN AND SLEEVE PLUGS, CONNECTORS AND RECEPTACLES

SUITABLE APPLICATIONS

- Designed to supply power to portable or fixed electrical equipment such as motor generator units, welders, pumps, compressors, cellular relay stations, and similar apparatus.
- Ideal for use on shipping docks, ports, and other “ship to shore” applications.
- Suitable for use in locations where a weatherproof enclosure is required.
- Rough usage construction.

FEATURES

- Pin and sleeve design: solid copper pressure wire terminal contacts with beryllium copper springs
 - Energized contacts deeply recessed to reduce danger of accidental touching, minimize possibility of exposed arcs. Insulator quenches arcing, and is resistant to abnormal heat and to fire.
 - Plug mechanical cable clamps provide strain relief conductor connections, allow easy cable replacement.
 - Pressure wire terminals allow cable to be readily replaced when necessary. Terminal screws grip conductors firmly. Spring contacts provide constant pressure.
- Available in one grounding style:
 - Style 2 (shell and extra pole):
 - Plug—Equipment grounding conductor is not only connected to the solderless lug in the plug housing, but also to an extra grounding pole. Grounding pole has copper alloy grounding jumper strap that connects to plug housing.
 - Receptacle—Two detent spring clips engage grounded plug housing on plug insertion. Jumper from extra grounding pole is electrically connected to a screw on receptacle housing. Longer grounding pole “makes first and breaks last”.

- Neoprene bushing compressed by cable collar prevents entrance of water. Bushing is highly resistant to hydrocarbon deterioration and is self-extinguishing.
- Locking screw and slot prevents plug cable collar from “backing off”.
- Contacts exert constant pressure along entire contact surface and provide electrical continuity.
- Ambient temperature range of -25°C to +40°C (-13°F to +104°F).
- Insulating blocks provide greatest dielectric and mechanical strength and lowest arc tracking.
- Positive polarization: only plugs and receptacles of same style, number of poles and ampere rating can be used together.
- Circuit breaking: any arcing created as line and load terminals disengage is safely confined deep within terminal cavities. Plugs may be withdrawn in an emergency under full rated loads without separate disconnect switches.
- 150 Amp Powertite plugs also suitable for classified locations when used with Appleton EBR explosionproof interlocking receptacles.
- Controlled length contacts ensure that ground makes first and breaks last for added safety.

STANDARD MATERIALS

- Plug, receptacle, connector and mounting box housings: copperfree (4/10 of 1% max.) aluminum
- Insulating blocks: glass filled polyester

STANDARD FINISHES

- Aluminum plug, receptacle, connector and mounting box housings: epoxy powder coat
- Insulating blocks and contacts: natural finish

OPTIONS

- Reverse Service (Generator Application) add suffix **-RS** to Catalog Number.

ACCESSORIES/REPLACEMENT PARTS

- *Environmental Plug Caps*
- *Plug and Receptacle Interiors*
- *ACP Plug Clamping Rings*
- *Spring Door and Screw Receptacle Covers*
- *Bushing Bags for Plugs and Connectors*
- *Receptacle Ground Lug Kits*
(See Replacement Parts page in Appleton Master Catalog.)

NEC/CEC RATINGS

- UL Standard: UL 1682, UL 1686, UL 50E
- UL Listed: E145916, E145917
- CSA Standard: C22.2 No. 182.1
- CSA Certified: 065179
- NEMA 4X
- NEMA Configuration: FB11

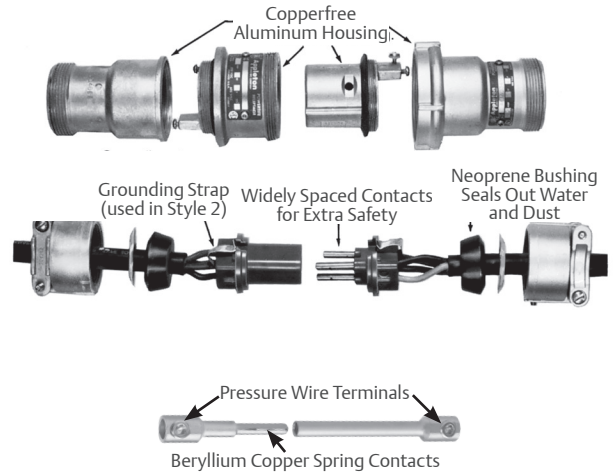
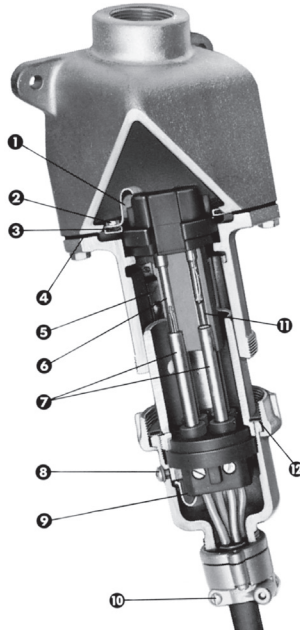
APPLETON™

For product information:
www.masteringled.com
1.800.621.1506


EMERSON™

CONSIDER IT SOLVED™

1. Grounding strap in Style 2 receptacle from extra pole to receptacle housing.
2. Screw locks receptacle housing and interior into an assembly and permits easy field conversion to reverse service for 30, 60, 100, 150, and 200 Amp.
3. Receptacle interior retaining washers.
4. Raintight mounting box gasket.
5. Grounding detent springs in Style 1 and Style 2.
6. Longer ground terminal in Style 2 receptacle "makes first, breaks last."
7. Floating-type plug terminal self-aligns to receptacle contacts.
8. Screw locks plug housing and interior into an assembly; also permits easy field conversion to reverse service (30, 60, 100, and 150 Amp).
9. Grounding strap in Style 2 plug from extra pole to plug housing.
10. Cable grip assembly.
11. Arc snuffing chamber.
12. Plug with clamping ring has neoprene gasket. Ring threads onto screw cap receptacle to provide NEMA 4X assembly when properly tightened.



HORSEPOWER RATINGS FOR EMERGENCY DISCONNECT UNDER LOAD

Phase Motor	Wire/Pole	Motor Horsepower			
		120 Vac	240 Vac	480 Vac	600 Vac
3-Phase	3W, 4P	Do Not Disconnect Under Load			

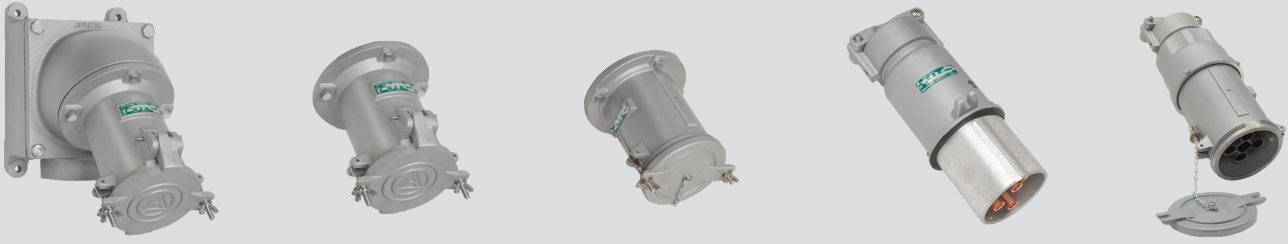
SELECTION CHART

Grounding Style	Wire/Pole	Hub Size (Inches)	Receptacle with AJA Mounting Box ①	Receptacle Only ③	Clamping Ring Plug ②④	Connector Body Only ⑤	Cable Diameter (Inches)
150 Amp Style 2 (Shell and Extra Pole)	3W, 4P	1-1/2	ADJA15034-150	ADR15034	ACP15034CD	ARC15034CD	0.875 to 1.906
		2	ADJA15034-200		ACP15034DE	ARC15034DE	1.250 to 2.187

Receptacles are provided with spring door and screw cover.

For Reverse Service, add suffix **-RS** to Catalog Number.

- ① For additional mounting boxes, see Aluminum Mounting Boxes in Appleton Master Catalog.
- ② Plug and receptacle combination is NEMA 4X rated when clamping ring is fully tightened on receptacle.
- ③ Receptacle is NEMA 4X rated when screw cover is fully engaged when the receptacle is not in use.
- ④ Plug and connector body combination is NEMA 4X rated when clamping ring is fully tightened on connector body.
- ⑤ Powertite 150 Amp ARC Connectors are not UL Listed or CSA certified.



200 AMP POWERTITE™ SERIES PIN AND SLEEVE PLUGS, CONNECTORS AND RECEPTACLES

FEATURES

- Pin and sleeve design: solid copper pressure wire terminals with double split design.
 - Energized contacts deeply recessed to reduce danger of accidental touching, minimize possibility of exposed arcs. Insulator quenches arcing, and is resistant to abnormal heat and to fire.
 - Plug mechanical cable clamps provide strain relief conductor connections, allow easy cable replacement.
 - Pressure wire terminals allow cable to be readily replaced when necessary. Saddle clamp terminal type screw grips conductors firmly. Spring contacts provide constant pressure.
- Available in two grounding styles:
 - Style 1 (shell only):
 - Plug—Equipment grounding conductor is wired directly to solderless lug which is connected to the plug housing with a pressure connector. All terminals are “current carrying”.
 - Receptacle—Two detent spring clips engage the grounded plug housing on plug insertion—grounded plug shell makes contact with receptacle ground spring before line and load poles are engaged. Grounding path is maintained until after current-carrying contacts disengage. All terminals are “current carrying”.
 - Style 2 (shell and extra pole):
 - Plug—Equipment grounding conductor is not only connected to the solderless lug in the plug housing, but also to an extra grounding pole. Grounding pole has copper alloy grounding jumper strap that connects to plug housing.
 - Receptacle—Two detent spring clips engage grounded plug housing on plug insertion. Jumper from extra grounding pole is electrically connected to a screw on receptacle housing. Longer grounding pole “makes first and breaks last”.

- One-Piece terminal block makes wire termination simpler, no need to disassemble components.
- A complete selection of grommets coupled with a reversible cable clamp allow the plug and connector to accommodate all 200 Amp cable diameters (.875-2.500) inches.
- Terminals require only 1 terminal screw instead of 2. Saddle clamp terminal screw has a back plate for optimal surface area to keep conductors secure.
- Ambient temperature range of -25°C to +40°C (-13°F to +104°F).
- Lockout provision on the plug and spring door receptacles provide an easy access lockout/tagout point to comply with OSHA 1910.147 standard for added maintenance safety.
- For application flexibility, plugs, receptacles, and connectors are field reverse serviceable by swapping out interiors.
- Positive polarization: only plugs and receptacles of same style, number of poles and ampere rating can be used together.
- Circuit breaking: any arcing created as line and load terminals disengage is safely confined deep within terminal cavities. Plugs may be withdrawn in an emergency under full rated loads without separate disconnect switches.
- Controlled length contacts ensure that ground makes first and breaks last for added safety.

SUITABLE APPLICATIONS

- Designed to supply power to portable or fixed electrical equipment such as motor generator units, welders, pumps, compressors, cellular relay stations, VFD powerhouses, and similar equipment.
- Ideal for use in “ship to shore” and backup power applications.
- Suitable for use in locations where a weatherproof enclosure is required.
- Rough usage construction.

STANDARD MATERIALS

- Plug, receptacle, connector and mounting box housings: copperfree (4/10 of 1% max.) aluminum
- Insulating blocks: glass filled polyester

STANDARD FINISHES

- Aluminum plug, receptacle, connector and mounting box housings: epoxy powder coat
- Insulating blocks and contacts: natural finish

OPTIONS

- Special Polarization add suffix **-P4** to Catalog Number.
- Reverse Service (Generator Application) add suffix **-RS** to Catalog Number.

ACCESSORIES/REPLACEMENT PARTS

- *Receptacle Lockout Device (Clamp Cover)*
- *Plug Lockout Lanyard*
- *NEMA 4X Plug Dust Cap*
- *Spring and Clamp Receptacle Covers*
- *Bushing Bags for Plugs and Connectors*
- *Wire Adapter Kit for Wire Sizes #1 to #4 (See Powertite 200 and 400 Amp Replacement Parts in product catalog.)*

NEC/CEC RATINGS

- UL Standard: UL 1682, UL 50E
- cULus Listed: E145917
- CSA Standard: C22.2 No. 182.1-13
- NEMA 3, 3R, 4, 4X
- NEMA Configuration: FB11

APPLETON™

For product information:
www.masteringled.com
 1.800.621.1506



CONSIDER IT SOLVED™

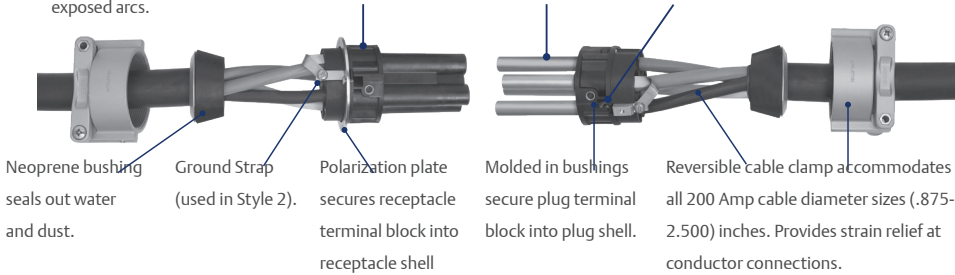
200 AMP POWERTITE™ SERIES PIN AND SLEEVE PLUGS, CONNECTORS AND RECEPTACLES



Energized contacts deeply recessed to reduce danger of accidental touching and minimize possibility of exposed arcs. Widely spaced contacts for extra safety. Nested Allen slots allow the terminals to be wired and fastened without disassembly.

WIRE SIZE RANGE FOR POWERTITE PLUG AND RECEPTACLE TERMINALS

Wire Recess Dia. (Inches)	Conductor Size	Type Conductor
0.687	250	General Wire
	4/0	General Wire
	4/0	Flex. Cable
	3/0	Flex. Cable
	3/0	Extra Flex.
	2/0	Flex. Cable
	1/0	Flex. Cable



HORSEPOWER RATINGS FOR EMERGENCY DISCONNECT UNDER LOAD

- Plug may be withdrawn in an emergency if within these maximum HP ratings. Not for normal starting and stopping.

Phase Motor	Wire/Pole	Motor Horsepower			
		120 Vac	240 Vac	480 Vac	600 Vac
1-Phase	2W, 3P	15HP	30HP	40HP	40HP
3-Phase	3W, 3P; 3W, 4P; or 4W, 4P	20HP	40HP	50HP	50HP

SELECTION CHART

Grounding Style	Wire/Pole	Hub Size (Inches)	Spring Door Receptacle with ADJA Mounting Box ①③	Spring Door Receptacle Only ③	Clamp Cover Receptacle with AJA Mounting Box ①③	Clamp Cover Receptacle Only ③	Connector Body Only ②	Plug Only ②	Cable Diameter (Inches)
Style 1 (Shell Only)	3W, 3P	1-1/2	ADJA20033-150	ADR20033	AJA20033-150	AR20033	ARC20033E	AP20033E	0.875 to 2.500
		2	ADJA20033-200		AJA20033-200				
		2-1/2	ADJA20033-250		AJA20033-250				
	4W, 4P	2	ADJA20044-200	AJA20044-200					
2-1/2		ADJA20044-250	AJA20044-250						
Style 2 (Shell and Extra Pole)	2W, 3P	1-1/2	ADJA20023-150	ADR20023	AJA20023-150	AR20023	ARC20023E	AP20023E	
		2	ADJA20023-200		AJA20023-200				
		2-1/2	ADJA20023-250		AJA20023-250				
	3W, 4P	1-1/2	ADJA20034-150	ADR20034	AJA20034-150	AR20034	ARC20034E	AP20034E	
		2	ADJA20034-200		AJA20034-200				
		2-1/2	ADJA20034-250		AJA20034-250				

Adapters for #4-#1 wire available, see Replacement Parts in Appleton Master Catalog.

For Reverse Service, add suffix **-RS** to Catalog Number.

For Special Polarization, add suffix **-P4** to Catalog Number.

① For additional mounting boxes, see Aluminum Mounting Boxes in product catalog.

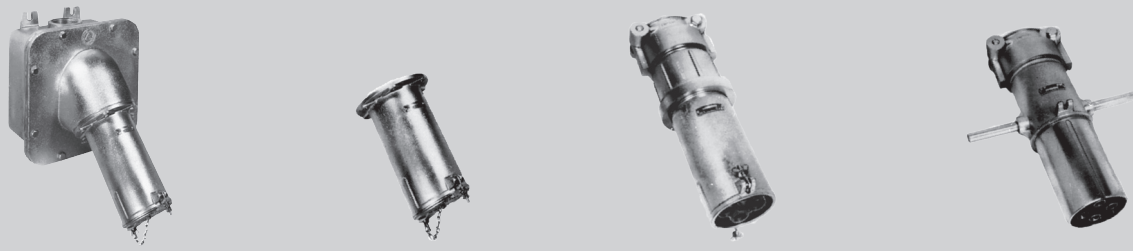
② Plug and connector body combination is NEMA 4X rated when wing nuts are fully tightened on connector body.

③ Receptacle meets NEMA 3R with spring door closed and NEMA 3, 3R, 4, 4X with plug fully inserted and wing nuts fully tightened or cover closed with wing nuts fully tightened.

APPLETON™

United States: 1.800.621.1506 | Asia/Pacific: + 65.6556.1100 | Australia: + 61.3.9721.0348
 Canada: + 1.888.765.2226 | China: + 86.21.3338.7000 | Europe: + 33.3.22.54.13.90
 Mexico/Latin America: + 52.55.5809.5049 | Middle East/Africa/India: + 971.4.811.8100
www.masteringled.com

EMERSON™



400 AMP POWERTITE™ SERIES PIN AND SLEEVE PLUGS, CONNECTORS AND RECEPTACLES

SUITABLE APPLICATIONS

- Designed to supply power to portable or fixed electrical equipment such as motor generator units, welders, pumps, compressors, cellular relay stations, and similar apparatus.
- Ideal for use on shipping docks, ports, and other “ship to shore” applications.
- Suitable for use in locations where a weatherproof enclosure is required.
- Rough usage construction.

FEATURES

- Pin and sleeve design: solid copper contacts with 4 spring loaded borosilicate bearings.
 - Energized contacts deeply recessed to reduce danger of accidental touching, minimize possibility of exposed arcs. Insulator quenches arcing, and is resistant to abnormal heat and to fire.
 - Plug mechanical cable clamps provide strain relief conductor connections, allow easy cable replacement.
 - Pressure wire terminals allow cable to be readily replaced when necessary. Terminal screws grip conductors firmly. Spring contacts provide constant pressure.
- Available in two grounding styles:
 - Style 1 (shell only):
 - Plug—Equipment grounding conductor is wired directly to solderless lug which is connected to the plug housing with a pressure connector. All terminals are “current carrying”.
 - Receptacle—Two detent spring clips engage the grounded plug housing on plug insertion—grounded plug shell makes contact with receptacle ground spring before line and load poles are engaged. Grounding path is maintained until after current-carrying contacts disengage. All terminals are “current carrying”.

- Style 2 (shell and extra pole):
 - Plug—Equipment grounding conductor is not only connected to the solderless lug in the plug housing, but also to an extra grounding pole. Grounding pole has copper alloy grounding jumper strap that connects to plug housing.
 - Receptacle—Two detent spring clips engage grounded plug housing on plug insertion. Jumper from extra grounding pole is electrically connected to a screw on receptacle housing. Longer grounding pole “makes first and breaks last”.
- Neoprene bushing compressed by cable collar prevents entrance of water. Bushing is highly resistant to hydrocarbon deterioration and is self-extinguishing.
- Locking screw and slot prevents plug cable collar from “backing off”.
- Contacts exert constant pressure along entire contact surface and provide electrical continuity.
- Ambient temperature range of -25°C to +40°C (-13°F to +104°F).
- Insulating blocks provide greatest dielectric and mechanical strength and lowest arc tracking.
- Positive polarization: only plugs and receptacles of same style, number of poles and ampere rating can be used together.
- Controlled length contacts ensure that ground makes first and breaks last for added safety.

STANDARD MATERIALS

- Plug, receptacle, connector and mounting box housings: copperfree (4/10 of 1% max.) aluminum
- Insulating blocks: glass filled polyester

STANDARD FINISHES

- Aluminum plug, receptacle, connector and mounting box housings: epoxy powder coat
- Insulating blocks and contacts: natural finish

OPTIONS

- Special Polarization add suffix **-P4** to Catalog Number.
- Reverse Service (Generator Application) add suffix **-RS** to Catalog Number.

ACCESSORIES/REPLACEMENT PARTS

- Clamp Receptacle Covers
- Receptacle Lockout Device (Clamp Cover)
- Bushing Bags for Plugs and Connectors
- 400 Amp Pressure Terminal Kits
(See Replacement Parts page in Appleton Master Catalog.)

NEC/CEC RATINGS

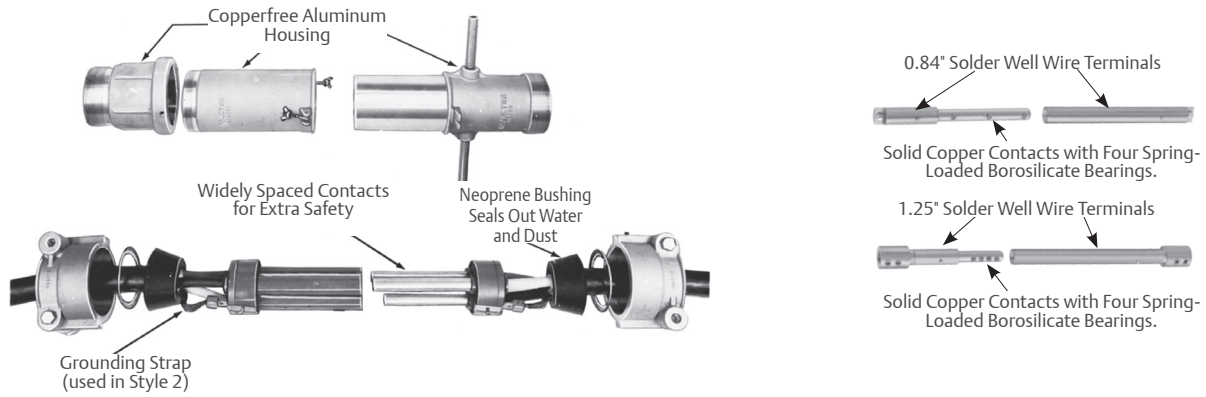
- UL Standard: UL 1682, UL 1686, UL 50E
- UL Listed: E145916, E145917
- CSA Standard: C22.2 No. 182.1
- CSA Certified: 065179
- NEMA Configuration: FB11

APPLETON™

For product information:
www.masteringled.com
1.800.621.1506


EMERSON™

CONSIDER IT SOLVED™



MAXIMUM CONDUCTOR SIZE

- 400 Amp not horsepower rated. Plug is for disconnecting use only – not for current rupturing.

Solder Recess Dia. (Inches)	Conductor Size	Max. Strand	Type Conductor
0.84	500 MCM	37	General Wire
	400 MCM	259	Flexible Cable
	400 MCM	427	Extra Flexible Cable
1.25	1000 MCM	61	General Wire
	900 MCM	427	Flexible Cable
	800 MCM	703	Extra Flexible Cable

SELECTION CHART

Wire Recess Dia. (Inches)	Grounding Style	Wire/Pole	Hub Size (Inches) ②	Receptacle with AJA Mounting Box ③	Receptacle Only ③	Plug Only	Connector Body Only	Cable Diameter (Inches)
0.84 ①	Style 1 (Shell Only)	3W, 3P	4	AJA40033-400	AR40033	AP40033E	ARC40033E	1.875 to 2.500
		4W, 4P		AJA40044-400	AR40044	AP40044E	ARC40044E	
				AJA40044-400N4	AR40044N4			
	Style 2 (Shell and Extra Pole)	2W, 3P		AJA40023-400	AR40023	AP40023E	ARC40023E	
		3W, 4P		AJA40034-400	AR40034	AP40034E	ARC40034E	
				AJA40034-400N4	AR40034N4			
1.25	Style 1 (Shell Only)	3W, 3P		AJA40133-400	AR40133	AP40133F	ARC40133F	2.500 to 3.000
						AP40133G	ARC40133G	3.000 to 3.500
		4W, 4P		AJA40144-400	AR40144	AP40144F	ARC40144F	2.500 to 3.000
						AP40144G	ARC40144G	2.500 to 3.000
				AJA40144-400N4	AR40144N4			2.500 to 3.000
								2.500 to 3.000
	Style 2 (Shell and Extra Pole)	2W, 3P	AJA40123-400	AR40123	AP40123F	ARC40123F	2.500 to 3.000	
					AP40123G	ARC40123G	2.500 to 3.000	
		3W, 4P	AJA40134-400	AR40134	AP40134F	ARC40134F	2.500 to 3.000	
					AP40134G	ARC40134G	2.500 to 3.000	
							2.500 to 3.000	
				AJA40134-400N4	AR40134N4			2.500 to 3.000

Solder wire terminals standard on all models.

For Reverse Service, add suffix **-RS** to Catalog Number.

For Special Polarization, add suffix **-P4** to Catalog Number.

Note: Box can be turned for vertical or horizontal mount.

① Pressure terminal kits available for .84 wire recess size only to convert solder terminal to pressure terminal. See Replacement Parts page in Appleton Master Catalog.

② Has feed-thru 4" tapped openings. Supplied with one 4" to 3" reducer and one 4" close-up plug.

③ 400 Amp versions with the -N4 suffix are NEMA 4 rated.