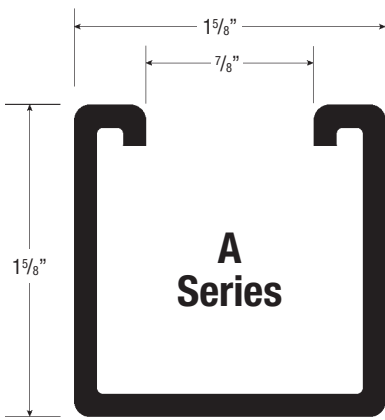
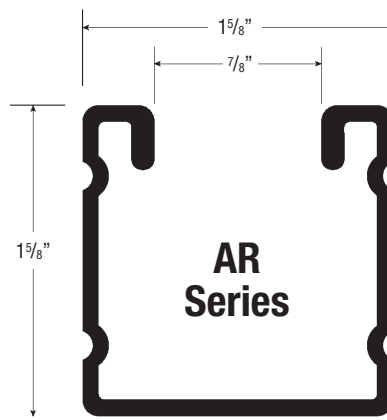


Channels and Concrete Inserts

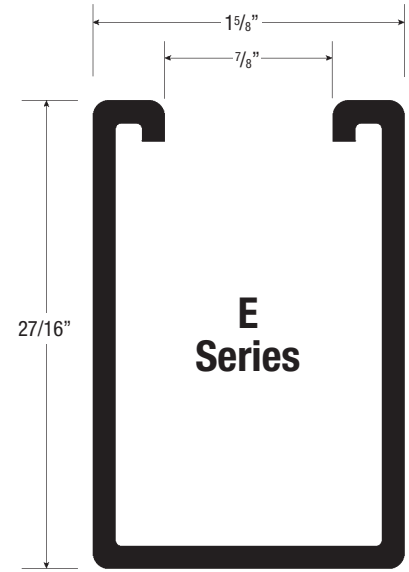
Channels at Full Scale
Available in 10 and 20 foot length



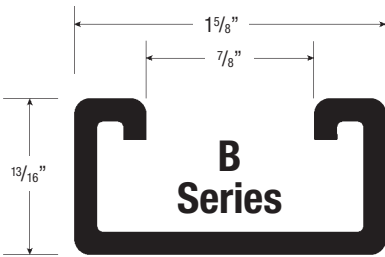
A Series
A1200 12 gauge
A1400 14 gauge



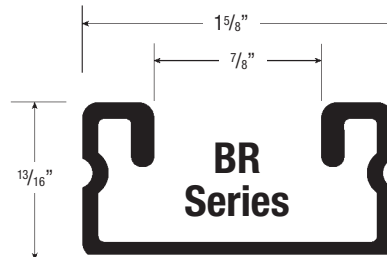
AR Series
16 gauge only



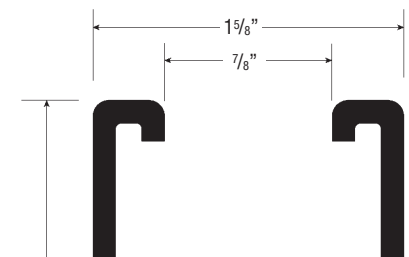
E Series
E1200 12 gauge



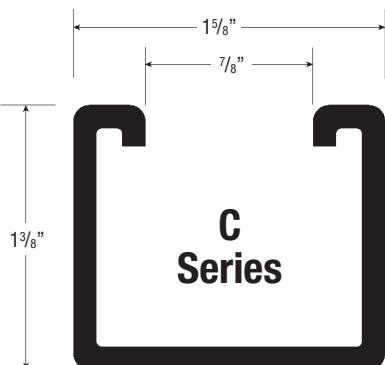
B Series
B1200 12 gauge
B1400 14 gauge



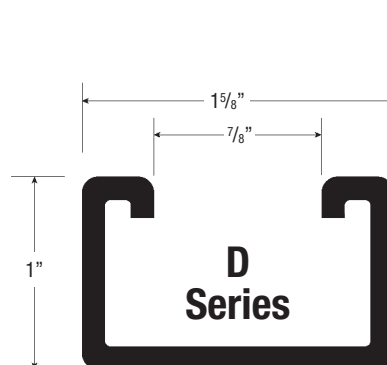
BR Series
16 gauge only



H Series
H1200 12 gauge



C Series
C1200 12 gauge



D Series
D1200 12 gauge

Channels and Concrete Inserts

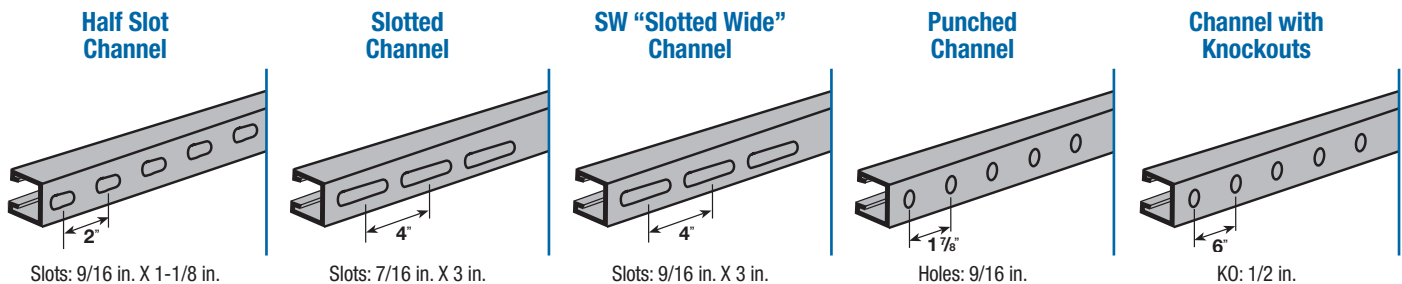
Channel Selection Chart

CHANNEL	HOLE CONFIGURATIONS					LENGTH	FINISH ON STEEL						SPECIAL MATERIALS			
	HS	S	SW	P	KO		ft.	B(C)	PG(C)	EG(C)	GoldGalv®	HDG(C)	GR(C),GY(C),WH(C)	AL(C)	T316L	SS6(C)
A1200						10 or 20										
A1400						10 or 20										
AR1600						10 or 20										
B1200						10 or 20										
B1400						10 or 20										
BR1600						10 or 20										
C1200						10 or 20										
D1200						10 or 20										
E1200						10 or 20										
H1200						10 or 20										

Legend

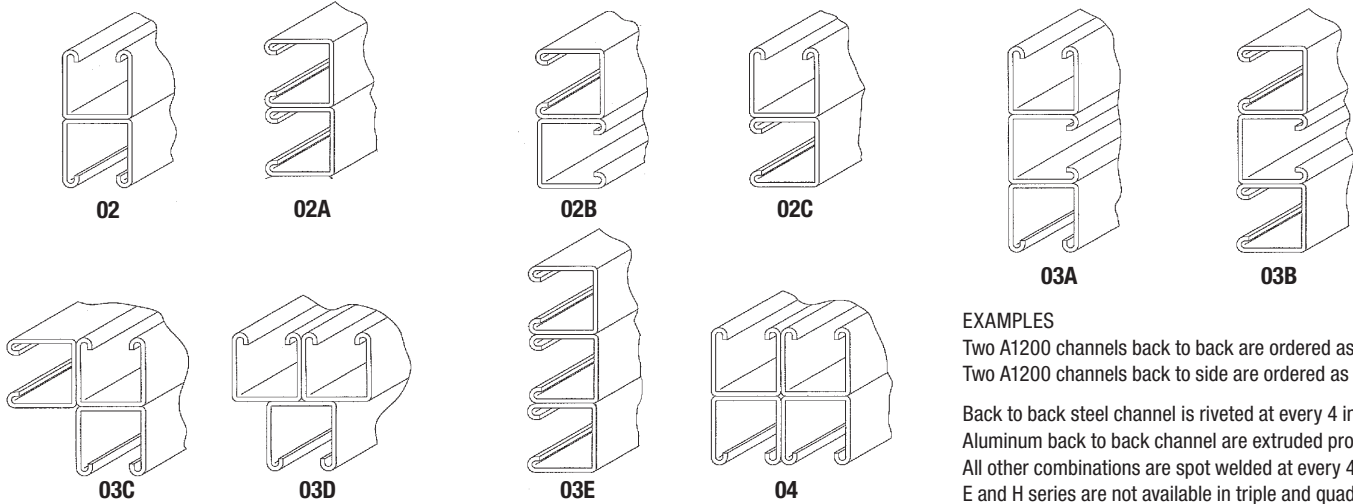
EXAMPLES	HOLE CONFIGURATION		FINISH ON STEEL		SPECIAL MATERIALS	
	Suffix		Suffix		Suffix	
A120010PG Plain channel, 10 ft., pre- galvanized finish	blank	Plain, no holes	BC	Bare	AL	Aluminum
	HS	Half slot	PGC	Pre-galvanized	SS6 (C)	Stainless Steel Type 316
B1400P10 Punched channel, 10 ft., GoldGalv® finish	S	Slotted	EGC	Electrogalvanized	T316L	Stainless Steel Type 316L
	SW	Slotted wide	Blank	GoldGalv®		
	P	Punched	HDGC	Hot dipped galvanized		
E1200HS20HDG Half slot channel, 20 ft. hot dipped galvanized	KO	Knockout	GR,GY,WH	Epoxy paint in green (GR), grey (GY), or white (WH)		
		Standard offering		A minimum order quantity may apply		

Hole Configuration



Channels and Concrete Inserts

Welded Combinations



EXAMPLES

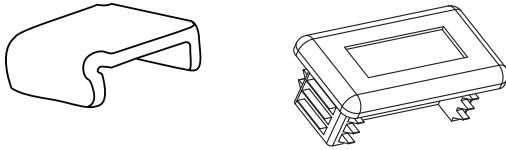
Two A1200 channels back to back are ordered as A1202.
Two A1200 channels back to side are ordered as A1202C.

Back to back steel channel is riveted at every 4 inches.
Aluminum back to back channel are extruded profiles.
All other combinations are spot welded at every 4 inches.
E and H series are not available in triple and quadruple.

End Caps and Closure Strips

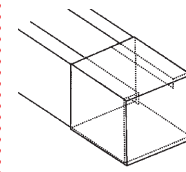
A804 End Cap

RAWSEC End Cap for D1200 Channel



Cat. No.	For Channel	Wt./C lb.
A804EG	A1200	10
	A1400 AR1600	10
B804EG	B1400 BR1600	5
C804EG	C1200	8
E804EG	E1200	15
H804	H1400	20
RAWSEC	D1200	5 g (0.18 oz)

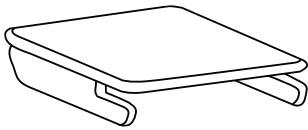
Safety End Cap



1-5/8 in. x 1-5/8 in. White Plastisol

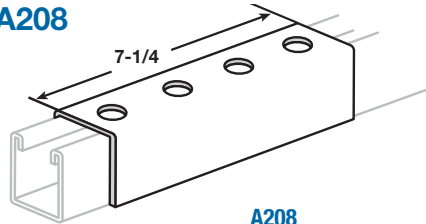
Cat. No.	For Channel	Wt./C lb.
A804NEOPWH	A1200 AR1600	1.75
	A1400	
B804NEOPWH	B1200 BR1600	5
H804NEOPWH	H1200	2

A243-1EGC End Cap



For A1200 Channel
Wt./C 16 lb.

A208



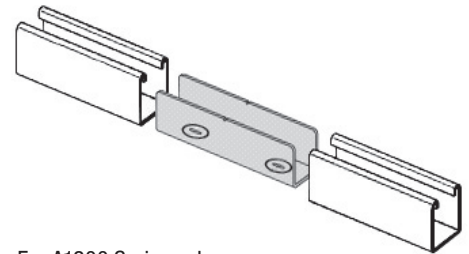
A208HDGC
A208EG

Does not include
stud nut or bolts.

A208
A208SS6C

Pour profilés
des séries A et AR.
Poids/100 : 275 lb

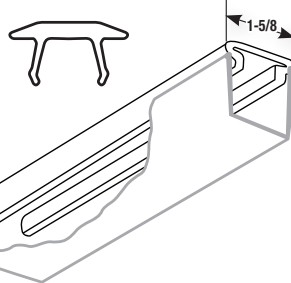
A213 Inside Joiner



For A1200 Series only.
Available only in GoldGalv® finish.

Pre-Galvanized Steel Closure Strip

AB844PGC
AB844PGCWH
White Epoxy Powder Coated



- When used as a raceway, channel is normally installed with the slot up. After wiring has been completed the closure strip is installed.
- For all channels.
- Standard length: 10 ft.

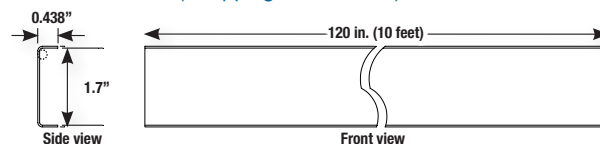
Plastic Closure Strip

AB844PC Color : Gold
AB844PCGY Color : Grey



Stainless Steel Closure Strip

AB844SS6CS (Strapping not included)



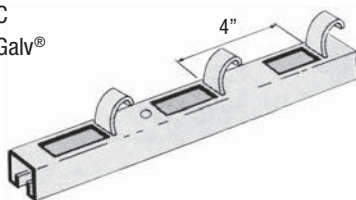
Channels and Concrete Inserts

Concrete inserts

Concrete Channel Inserts

***Finishes**

- HDGC
- GoldGalv®
- PGC



Insert with end caps and foam closure strip installed.

Cat. No.	Length (ft.)	Gauge	Wt. (lb./ft.)
A302-10*	10	12	2.19
A302-20*	20		2.19
B302-10*	10		1.36
B302-20*	20		1.36

Design Load 2000 lb. per foot in hard rock concrete with a safety factor of 3.

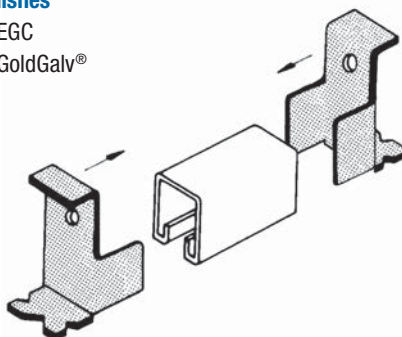
Standard lengths: 10 ft. and 20 ft.

Length tolerance: 3/16 in.

Anchor Caps

***Finishes**

- EGC
- GoldGalv®



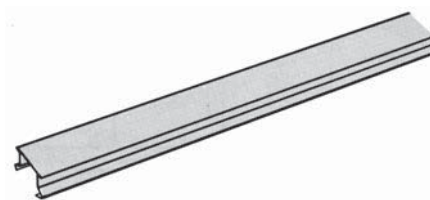
12 gauge, Wt./C: 30 lb./C

A450* For A Series

C450* For C Series

From pieces of A, B, C channel and a pair of anchor caps, short concrete inserts can be fabricated in the field.

460-10TB Removable Plastic Closure Strip



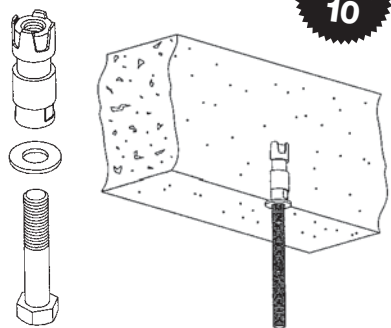
Designed as an added precaution to keep insert free of concrete. Closure strip fits all 1-5/8 in. wide strip inserts, regardless of depth.

Order per 10 foot, standard length is 10 ft.

Material – Black Plastic

Wt./C 52 lb.

SI400 Spot Insert Kit



STD. PACK 10

Cat. No.	Thred size	O.D. Insert	Wt./C lb.
SI400-3/8	3/8 – 16	2x5/8	10
SI400-1/2	1/2x13x1-1/4	2-1/2x7/8	35

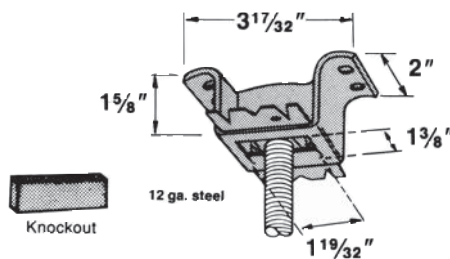
Other sizes available.

Maximum recommended load:

SI400-3/8 = 450 lb./204 kg

SI400-1/2 = 1000 lb./454 kg

452TB Spot Insert



Standard Finish – GoldGalv®

An insert with a knockout saves covering the opening. Accommodates hanger rod sizes from 1/4 in. through 7/8 in. by means of an AB102 insert nut, to be ordered separately.

Design load: 1350 lb. in 3000 lb. hard rock concrete with a safety factor of 3.

Complies with Specification MSS SP69, Type 18.