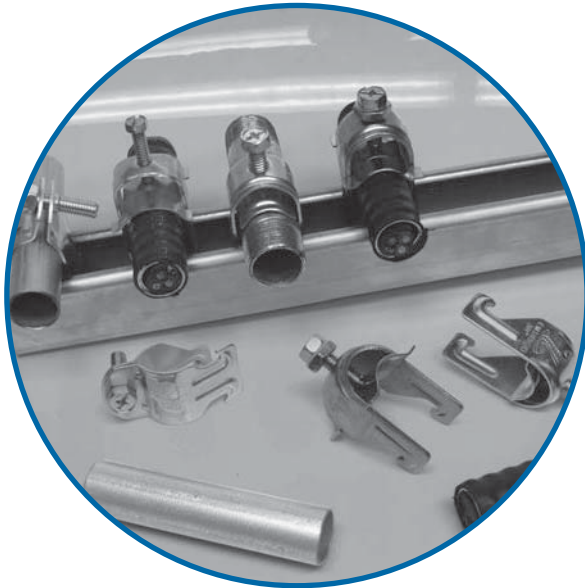


## Pipe Straps, Pipe Clamps and Hangers



### Design Loads

Where design loads are indicated, they provide for a safety factor of 3 in conformance with the American Standard Code for Pressure Piping.

### Hanger Design

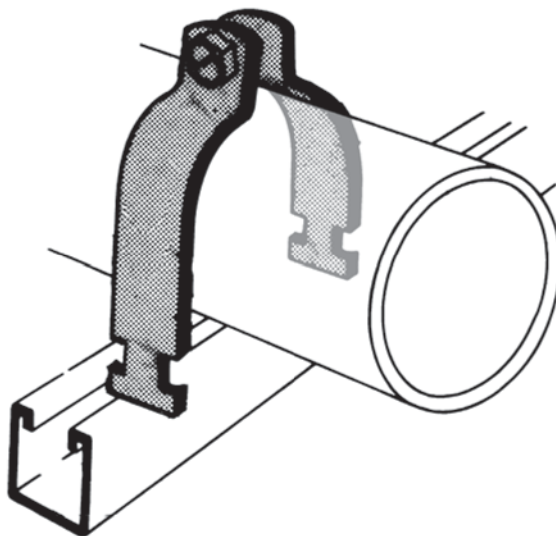
Pipe hangers are of advanced design to be user friendly.

### Finishes and Special Materials

The standard finish is Electrogalvanized (EGC) or GoldGalv®. Some products are offered in Aluminum and Stainless Steel where noted.

### 701 O.D. Pipe and Conduit Clamp

Machine screw and nut included.



#### Standard Finishes and Materials

**PG** = Pregalvanized (i.e. 701-045PG)

**AL** = Aluminum (i.e. 701-045AL) with zinc plated hardware

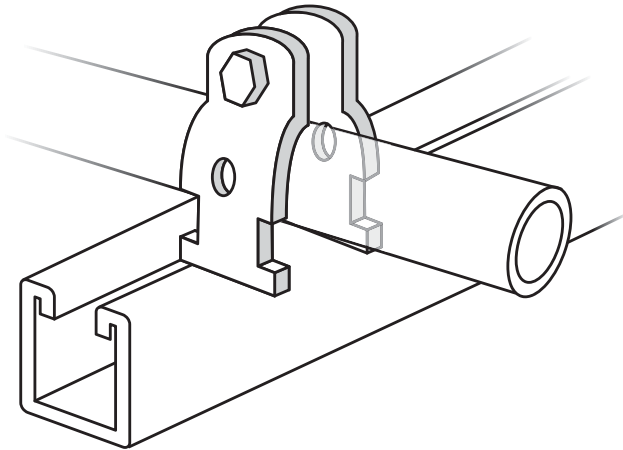
**SS6** = Stainless Steel Type 316 (i.e. 701-045SS6)

N° de cat.	O.D. of pipe		Rigid Cond.	EMT Cond.	WT./C. lb.	Std. Pack	
	(in.)	(mm)					
701-045PG	0.36-0.45	9-11.5	-	-	9	10	
701-055PG	0.46-0.55	11.5-14	-	-	10		
701-065PG	0.56-0.65	14-17	-	-	11		
701-075PG	0.66-0.75	17-19.5	-	1/2	13		
701-088PG	0.76-0.88	19.5-22.5	1/2	-	15		
701-100PG	0.89-1.00	22.5-25.4	-	3/4	16		
701-113PG	1.01-1.13	25.5-29	3/4	-	17		
701-126PG	1.14-1.26	29-32	-	1	18		
701-140PG	1.27-1.40	32-36	1	-	18		
701-153PG	1.41-1.53	36-39	-	1-1/4	19		
701-167PG	1.54-1.67	39-42.5	1-1/4	-	20		
701-180PG	1.68-1.80	42.5-46	-	1-1/2	23		
701-193PG	1.81-1.93	46-49	1-1/2	-	26		
701-204PG	1.93-2.04	49-52	-	-	30		
701-225PG	2.10-2.25	53-57.5	-	2	32		
701-237PG	2.26-2.37	57.5-60	2	-	34		
701-245PG	2.33-2.45	59.95-62.5	-	-	36		
701-257PG	2.46-2.57	62.5-65.5	-	-	38		
701-287PG	2.75-2.87	70-73	2-1/2	2-1/2	40		
701-294PG	2.88-2.94	73-75	-	-	42		
701-306PG	2.95-3.06	75-78	-	-	42.5		
701-319PG	3.07-3.19	78-81	-	-	43		
701-350PG	3.36-3.50	85.5-89	3	3	45		
701-356PG	3.51-3.56	89-90	-	-	46		
701-379PG	3.70-3.79	94-96.5	-	-	48		
701-400PG	3.80-4.00	96.5-101.5	3-1/2	3-1/2	49		
701-450PG	4.25-4.50	108-114	4	4	70		
701-556PG	5.25-5.56	121-141	5	5	75		
701-665PG	6.25-6.65	146-170	6	6	80		
701-876PG	8.50-8.75	197-222	8	8	85		
							5

## Pipe Straps, Pipe Clamps and Hangers

### Conduit and Cable Clamps

#### 703 Universal Clamp



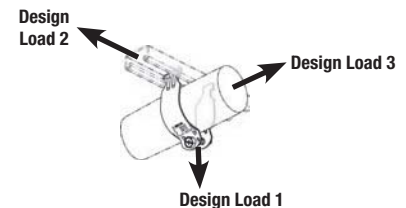
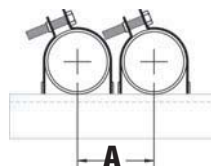
Cat. No.	EMT/ Rigid (in.)	Conduit O.D.O	Material Thickness	Wt./C lb.	Std. Ctn.
703-1/2EG	1/2	0.706 - 0.840	16 ga.	13	100
703-3/4EG	3/4	0.932 - 1.050	14 ga.	14	100
703-1EG	1	1.163 - 1.315	14 ga.	15	100
703-1-1/4EG	1-1/4	1.508 - 1.660	14 ga.	18	50
703-1-1/2EG	1-1/2	1.738 - 1.900	14 ga.	28	50
703-2EG	2	2.195 - 2.375	14 ga.	29	50

Standard Finishes - GoldGalv® (i.e.) 703-1/2

Electrogalvanized (EG suffix) (i.e.) 703-1-1/2EG

One size fits both Rigid and Electric Metal Tubing (EMT).  
Individually assembled with screw and nut.

#### Quik Clamp II™



Cat. No.	Dimension A EMT in. (mm)	Dimension A Rigid Conduit in. (mm)	Quantity per Box	Wt./C lb.
TBQC050	1-5/16 (33.5)	1-1/4 (31.5)	100	10
TBQC075	1-3/4 (44.5)	1-11/16 (43)	100	12
TBQC100	1-13/16 (46)	1-3/4 (44.5)	100	13
TBQC125	2-1/8 (54)	2 (51)	50	15
TBQC150	2-3/8 (60.5)	2-3/16 (55.5)	50	16
TBQC200	2-5/8 (66.5)	2-1/2 (63.5)	50	19
TBQC250	3-1/16 (78)	3-1/16 (78)	25	29
TBQC300	3-11/16 (93.5)	3-11/16 (93.5)	25	34
TBQC350	4-3/16 (106.5)	4-3/16 (106.5)	25	38
TBQC400	4-11/16 (119)	4-11/16 (119)	25	42

Design Load 1 Static Load Limit lb. (kg)	Design Load 2 lb. (kg)	Design Load 3 lb. (kg)
200 (90)	50 (23)	50 (23)
200 (90)		
200 (90)		
200 (90)		
200 (90)		
200 (90)		
200 (90)		
350 (158)		
350 (158)		
350 (158)		

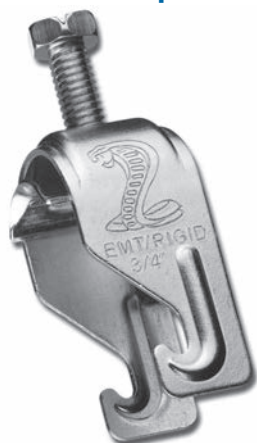
Design Load 1 has a safety factor of 4.  
Design Loads 2 and 3 have  
a safety factor of 1.

Standard material electrogalvanized steel.

## Pipe Straps, Pipe Clamps and Hangers

### Conduit and Cable Clamps

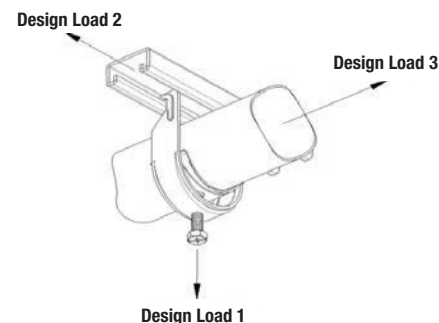
#### Cobra® Clamp



Standard material is commercial-grade, bright electrogalvanized steel.

**Aluminum:** Add the suffix **AL** to the catalogue number (i.e. CPC050AL)

**Stainless steel:** Add the suffix **SS6** to catalogue number (i.e.: CPC050SS6). Stainless steel bolt head is hexagonal and slotted only.



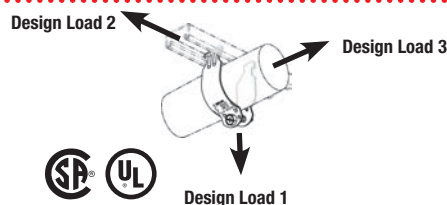
Cat. No.	EMT Trade Size (in.)	Rigid Cond. Trade Size (in.)	Cable O.D. Range (in.)	Static Load Limit (lb.) Safety Factor = 4	Qty. per Box	Wt./C lb.	Torque Value (ft.-lb.)
CPC025	1/4	1/4	0.312 - 0.600	200	100	8	35
CPC050	1/2	1/2	0.650 - 0.890	200	100	10	
CPC075	3/4	3/4	0.860 - 1.110	200	100	12	
CPC100	1	1	1.100 - 1.400	200	100	14	
CPC125	1 1/4	1 1/4	1.400 - 1.725	200	50	16	
CPC150	1 1/2	1 1/2	1.690 - 1.980	200	50	18	
CPC200	2	2	1.980 - 2.576	200	50	24	
CPC250	2 1/2	2 1/2	2.576 - 3.060	350*	25	36	
CPC300	3	3	3.060 - 3.626	350*	25	42	
CPC350	3 1/2	3 1/2	3.626 - 4.126	350*	25	46	
CPC400	4	4	4.126 - 4.626	350*	25	50	

\* Aluminum product has a static load of 250 lb.

Design Load 1 Static Load Limit lb. (kg)	Design Load 2 lb. (kg)	Design Load 3 lb. (kg)
200 (91)	50 (23)	50 (23)
200 (91)		
200 (91)		
200 (91)		
200 (91)		
200 (91)		
200 (91)		
350 (159)		
350 (159)		
350 (159)		
350 (159)		
350 (159)		
350 (159)		

#### Loc-King Cobra™ Clamp

- Superior design load capabilities for heavy-duty applications
- Pre-set torque prevents over-tightening
- Anti-vibration nut
- Steel construction with GoldGalv® finish



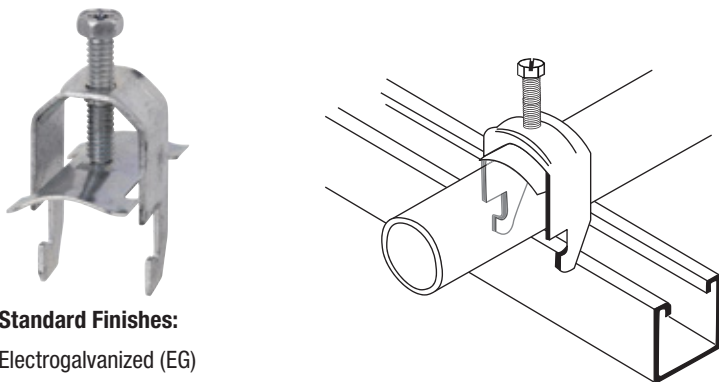
Cat. No.	EMT Trade Size (in.)	Rigid Cond. Trade Size (in.)	Cable O.D. Range (in.)	Static Load Limit (lb.) Safety Factor = 4	Qty. per Box	Wt./C lb.	Torque Value (ft.-lb.)
LKCPC050	1/2	1/2	0.650 - 0.890	100	15	10	35
LKCPC075	3/4	3/4	0.860 - 1.110	100	16	12	
LKCPC100	1	1	1.100 - 1.400	50	19	14	
LKCPC125	1 1/4	1 1/4	1.400 - 1.725	50	23	16	
LKCPC150	1 1/2	1 1/2	1.690 - 1.980	50	27	18	
LKCPC200	2	2	1.980 - 2.576	50	38	24	
LKCPC250	2 1/2	2 1/2	2.576 - 3.060	25	44	36	
LKCPC300	3	3	3.060 - 3.626	25	53	42	
LKCPC350	3 1/2	3 1/2	3.626 - 4.126	25	58	46	
LKCPC400	4	4	4.126 - 4.626	25	66	50	

Design Load 1 Static Load Limit lb. (kg)	Design Load 2 lb. (kg)	Design Load 3 lb. (kg)
300 (136)	50 (23)	50 (23)
300 (136)		
300 (136)		
300 (136)		
300 (136)		
300 (136)		
300 (136)		
450 (204)		
450 (204)		
450 (204)		
450 (204)		
450 (204)		
450 (204)		

## Pipe Straps, Pipe Clamps and Hangers

### Conduit and Cable Clamps

#### CH118 Heavy Duty Cable Clamp



##### Standard Finishes:

Electrogalvanized (EG)

Stainless Steel Type 316 clamp comes with Type 304 stainless steel hardware.

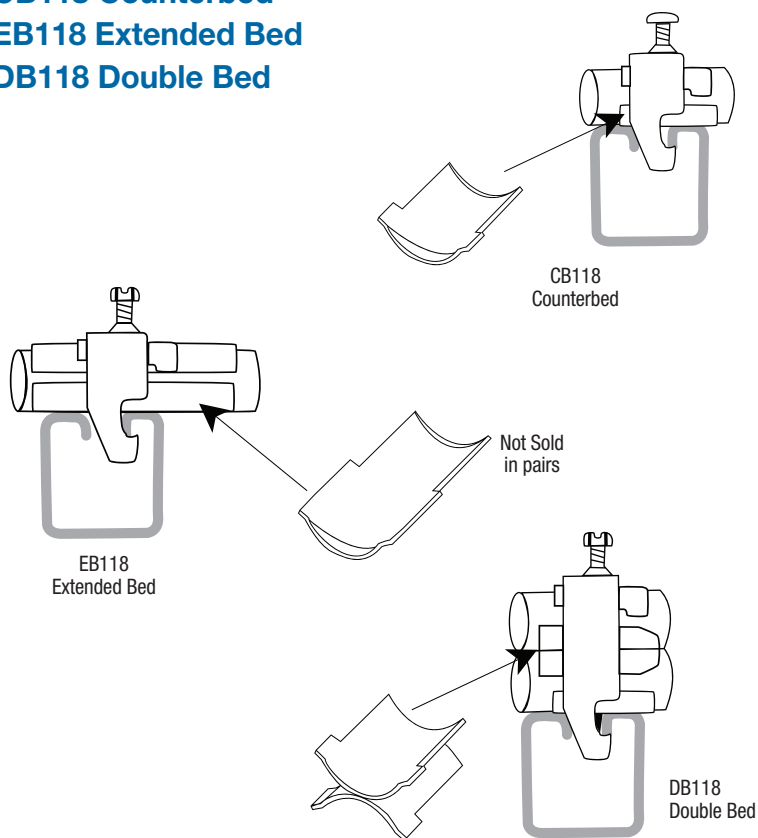
Cat. No.	O.D. of cable or pipe		Rigid Cond.	EMT Cond.	WT./C. lb.
	(in.)	(mm)			
CH118-055EG	0.40-0.55	10-14	-	-	8
CH118-081EG	0.50-0.81	13-21	1/2	1/2	9
CH118-110EG	0.70-1.10	18-28	3/4	3/4	17
CH118-125EG	0.85-1.25	22-27	3/4	1	18
CH118-135EG	1.00-1.35	26-36	1	1	19
CH118-175EG	1.33-1.75	34-44	1-1/4	1-1/4	21
CH118-205EG	1.65-2.05	42-52	1-1/2	1-1/2	24
CH118-250EG	2.12-2.50	54-64	2	2	48
CH118-300EG	2.60-3.00	66-76	2-1/2	2-1/2	54
CH118-325EG	2.75-3.25	70-82	-	-	65
CH118-375EG	3.25-3.75	82-94	3	3	105
CH118-425EG	3.75-4.25	94-110	3-1/2	3-1/2	113
CH118-475EG	4.25-4.75	110-120	4	4	124

Available in double or triple configurations.

Example: Double - CH128-047EG

Triple - CH138-047EG

#### CB118 Counterbed EB118 Extended Bed DB118 Double Bed



Cat. No.	Wt./C. lb.
<b>Counterbed</b>	
CB118-055PG	1
CB118-090PG	2
CB118-110PG	3-1/2
CB118-140PG	4
CB118-175PG	4-1/2
CB118-200PG	5
CB118-250PG	11
CB118-300PG	13
<b>Extended bed</b>	
EB118-047PG	4
EB118-055PG	4-1/2
EB118-090PG	6
EB118-110PG	13-1/2
EB118-140PG	16
EB118-175PG	17
EB118-200PG	20
EB118-250PG	30
EB118-300PG	38
<b>Double Bed</b>	
DB118-047PG	2
DB118-055PG	2
DB118-070PG	3

Standard Finishes - Pregalvanized (PG)