

Ex d IIB+H₂ Enclosure Series IJB



- + Flameproof aluminium enclosure system suitable for assembly of terminals, switches and components
- + Combination of several enclosures possible due to internal flameproof joint
- + Window optional
- + For gas group IIB + H₂

Included in delivery

Enclosure system consisting of base and lid with screws, external earth connection, hinge and external brackets

Technical data

Explosion protection	II 2 G Ex db IIB + H ₂ T6/T5/T4 Gb II 2 D Ex tb IIIC T80 °C...T130 °C Db
Material	Copper free aluminium
Ingress protection	IP66 to EN 60529
Impact resistance	7 Joule to EN 60079-0
Temperature range	-20 °C to +75 °C
Certificates	ITS 15 ATEX 18301X IECEX ITS 15.0043X



Ex d IIB+H₂ Enclosure Series IJB

Product overview

Order No.	Type	External dimensions H x W x D (mm)	Internal dimensions H x W x D (mm)	Weight (g)
40.10 40 10	IJB 01 AL	320 x 220 x 223	296 x 196 x 185	12100
40.10 40 20	IJB 02 AL	370 x 270 x 225	346 x 246 x 185	15700
40.10 40 30	IJB 03 AL	420 x 320 x 247	392 x 292 x 203	22900
40.10 40 40	IJB 04 AL	470 x 370 x 249	442 x 342 x 200	29700
40.10 40 50	IJB 05 AL	530 x 430 x 283	498 x 398 x 222	47000
40.10 40 60	IJB 06 AL	630 x 530 x 288	594 x 494 x 221	70100

Accessories

Order No.	Mounting plate	Dimensions H x W x D (mm)
40.10 40 10	40.30 40 10	245 x 145 x 1,5
40.10 40 20	40.30 40 20	295 x 195 x 1,5
40.10 40 30	40.30 40 30	345 x 245 x 1,5
40.10 40 40	40.30 40 40	395 x 295 x 1,5
40.10 40 50	40.30 40 50	445 x 345 x 1,5
40.10 40 60	40.30 40 60	545 x 445 x 1,5

Terminal mounting

DIN rail	Phoenix Contact													
	TS 35	TS 35	TS 35	TS 35	TS 35	TS 35	TS 35	TS 35	TS 35	TS 35	TS 35	TS 35	TS 35	TS 35
Rated nominal cross section (mm ²)	2,5	4	6	10	16	25	35	50	70	95	120	150	185	240
Rated voltage (V)	690	690	690	690	690	690	690	690	880	880	1100	1100	1100	1100
Terminal width (mm)	5.2	6.2	8.2	10.2	12.2	16.2	16.2	20	25	25	31	31	36	36
Terminal type														
Enclosure type	UT 2,5	UT 4	UT 6	UT 10	UT 16	UT 35	UT 35	UKH 50	UKH 95	UKH 95	UKH 150	UKH 150	UKH 240	UKH 240
40.10 40 10	40	32	20	16	12	8	8							
40.10 40 20	60	50	27	21	18	12	12	8	4	4				
40.10 40 30	80	66	34	26	21	15	15	10	6	6	4	4		
40.10 40 40	100	82	34	32	25	18	18	12	10	10	8	8	4	4
40.10 40 50	120	82	46	32	30	18	18	15	12	12	9	9	6	6
40.10 40 60	160	132	60	46	38	28	28	20	16	16	12	12	9	9

Other suppliers on request



Ex d IIB+H₂ Enclosure Series IJB

Technical details

Power dissipation in Watt

Type	Temperature class	T6			T5					T4		
		T80 °C			T95 °C					T130 °C		
	Maximum surface temperature	+40 °C	+50 °C	+60 °C	+40 °C	+50 °C	+55 °C	+60 °C	+75 °C	+40 °C	+50 °C	+60 °C
IJB 01 AL	Maximum allowed power loss	108 W		56 W			108 W		56 W			
IJB 02 AL		120 W		72 W			120 W		72 W			
IJB 03 AL		145 W		76 W			145 W		76 W			
IJB 04 AL		198 W	150 W	95 W	280 W	220 W		160 W		480 W	430 W	360 W
IJB 05 AL		300 W	200 W	136 W	408 W	309 W		241 W		659 W	586 W	491 W
IJB 06 AL		332 W	218 W	155 W	473 W	400 W		282 W		894 W	818 W	636 W

Assembly possibilities on lid

Type	Control equipment	Window (mm)									
		44 x 44	68 x 68	92 x 92	92 x 140	140 x 140	140 x 186	186 x 186	234 x 234	280 x 280	376 x 376
IJB 01 AL	12	6	2	1	1						
IJB 02 AL	20	12	4	2	1	1	1				
IJB 03 AL	30	16	4	4	2	1	1	1			
IJB 04 AL	42	25	9	4	2	1	1	1	1		
IJB 05 AL	56	36	16	9	6	4	2	1	1	1	
IJB 06 AL	90	64	25	16	8	4	4	4	1	1	1

Maximum number of cable glands

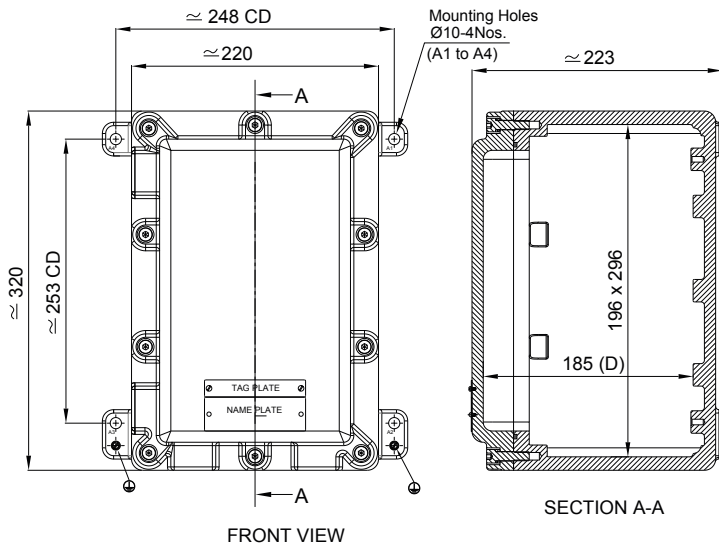
M	NPT	Side	Type					
			IJB 01 AL	IJB 02 AL	IJB 03 AL	IJB 04 AL	IJB 05 AL	IJB 06 AL
20	1/2"	A/B	11	14	18	22	32	40
20	1/2"	C/D	17	20	24	28	40	48
25	3/4"	A/B	6	9	14	17	20	26
25	3/4"	C/D	11	14	20	23	26	30
32	1"	A/B	5	6	9	11	17	23
32	1"	C/D	8	9	14	15	23	26
40	1 1/4"	A/B	3	5	6	8	11	14
40	1 1/4"	C/D	6	8	9	11	14	17
50	1 1/2"	A/B	2	3	4	5	8	9
50	1 1/2"	C/D	3	4	6	7	9	11
63	2"	A/B			3	4	5	7
63	2"	C/D			4	5	7	8
75	2 1/2"	A/B					3	4
75	2 1/2"	C/D					4	5



Ex d IIB+H₂ Enclosure Series IJB

Technical details

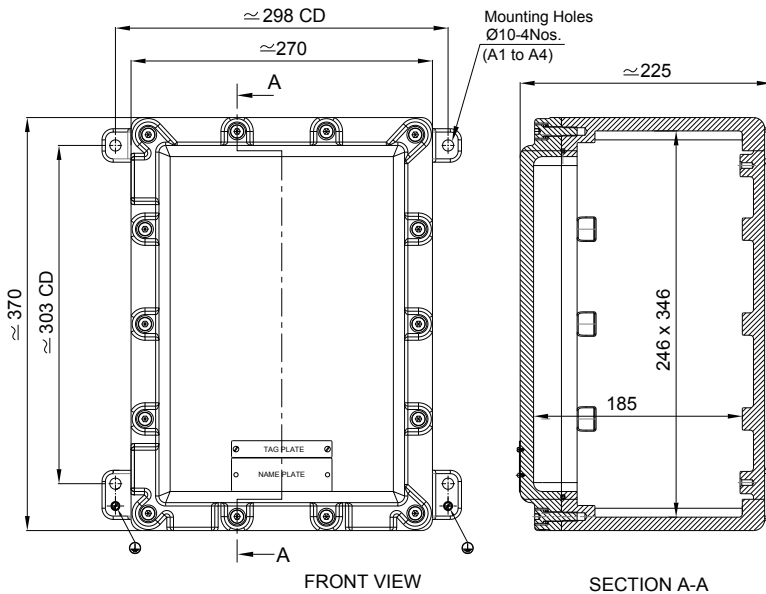
IJB 01 AL



Maximum number of cable glands

M	Side		NPT	Side	
	A/B	C/D		A/B	C/D
12			1/2	11	17
16			3/4	6	11
20	11	17	1	5	8
25	6	11	1 1/4	3	6
32	5	8	1 1/2	2	3
40	3	6	2		
50	2	3	2 1/2		
63			3		
75					
85					

IJB 02 AL



Maximum number of cable glands

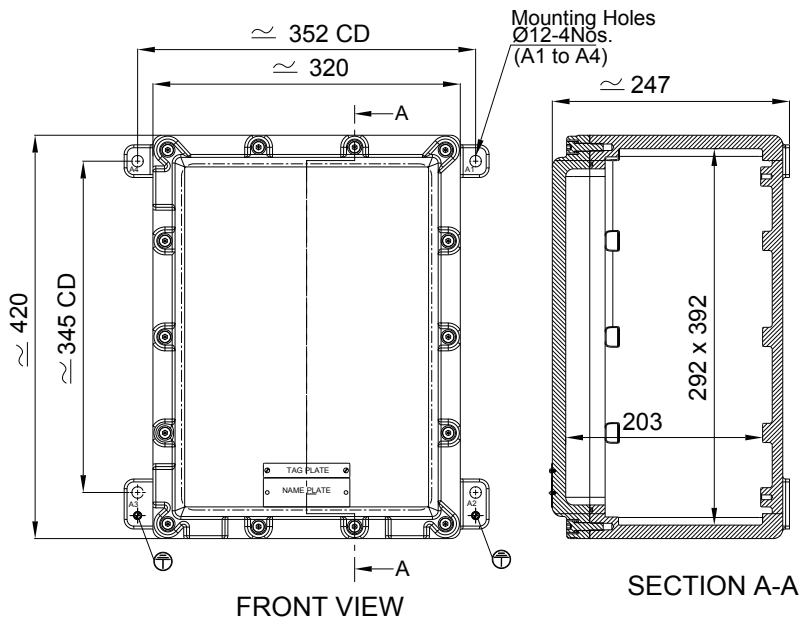
M	Side		NPT	Side	
	A/B	C/D		A/B	C/D
12			1/2	14	20
16			3/4	9	14
20	14	20	1	6	9
25	9	14	1 1/4	5	8
32	6	9	1 1/2	3	4
40	5	8	2		
50	3	4	2 1/2		
63			3		
75					
85					



Ex d IIB+H₂ Enclosure Series IJB

Technical details

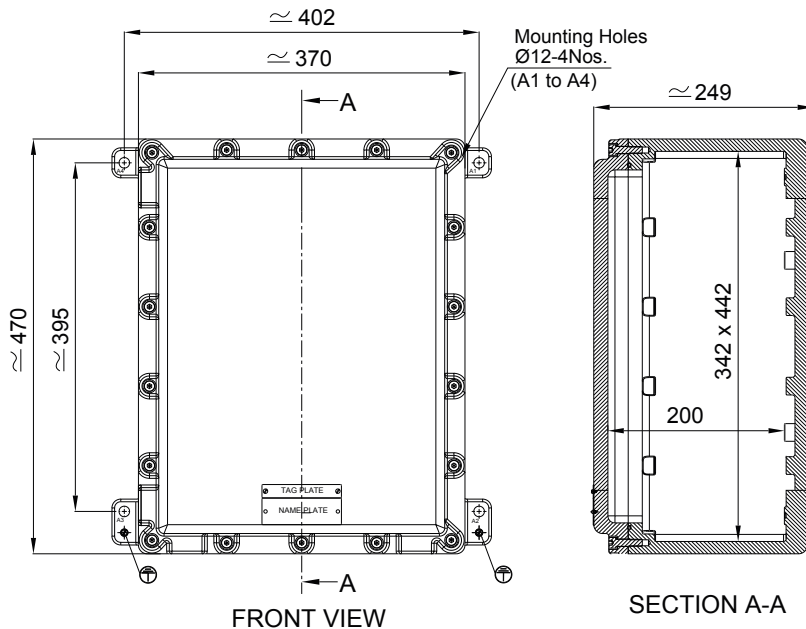
IJB 03 AL



Maximum number of cable glands

M	Side		NPT	Side	
	A/B	C/D		A/B	C/D
12			1/2	18	24
16			3/4	14	20
20	18	24	1	9	14
25	14	20	1 1/4	6	9
32	9	14	1 1/2	4	6
40	6	9	2	3	4
50	4	6	2 1/2		
63	3	4	3		
75					
85					

IJB 04 AL



Maximum number of cable glands

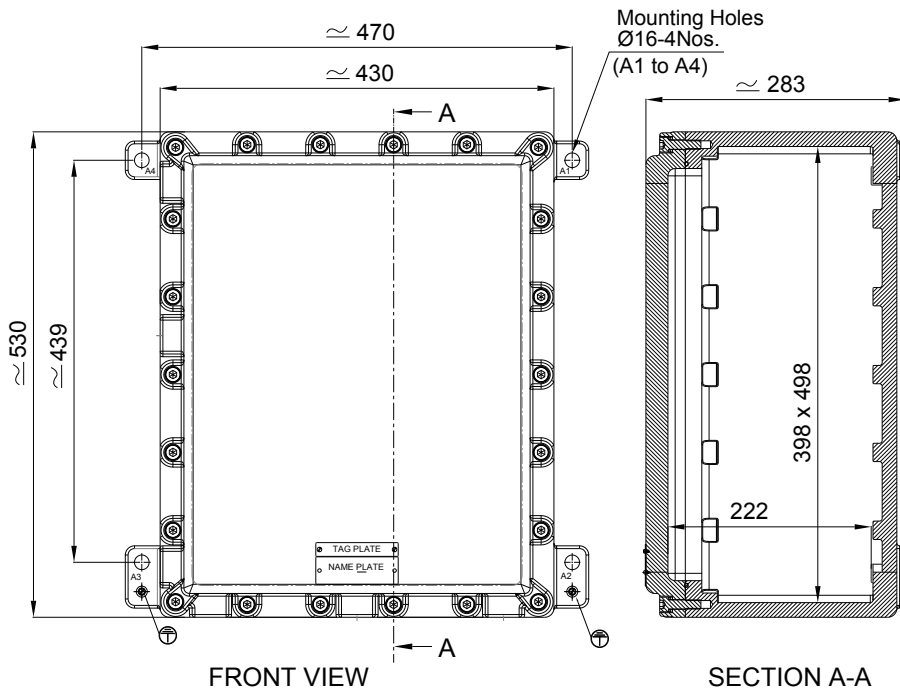
M	Side		NPT	Side	
	A/B	C/D		A/B	C/D
12			1/2	22	28
16			3/4	17	23
20	22	28	1	11	15
25	17	23	1 1/4	8	11
32	11	15	1 1/2	5	7
40	8	11	2	4	5
50	5	7	2 1/2		
63	4	5	3		
75					
85					



Ex d IIB+H₂ Enclosure Series IJB

Technical details

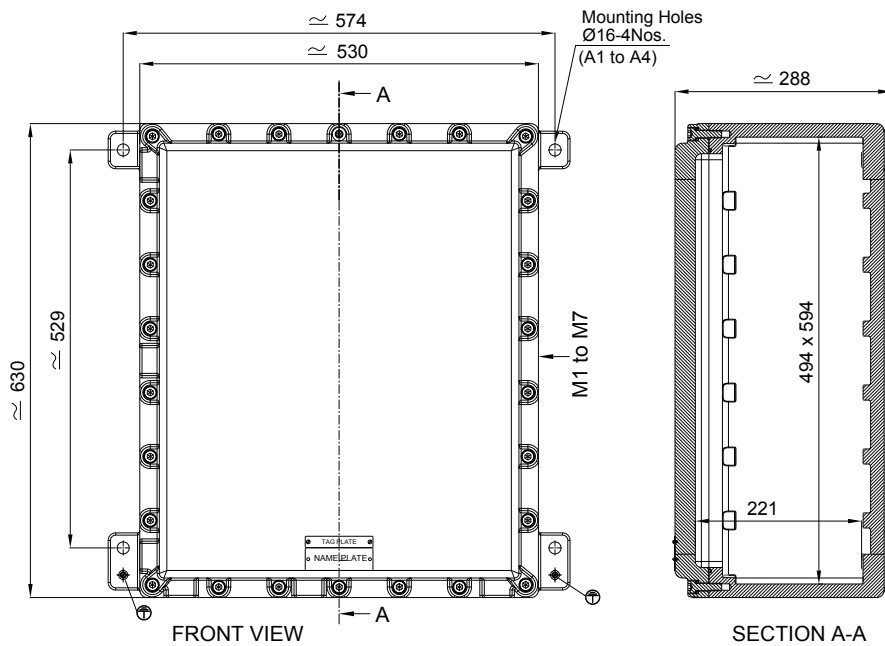
IJB 05 AL



Maximum number of cable glands

M	Side		NPT	Side	
	A/B	C/D		A/B	C/D
12			1/2	32	40
16			3/4	20	26
20	32	40	1	17	23
25	20	26	1 1/4	11	14
32	17	23	1 1/2	8	9
40	11	14	2	5	7
50	8	9	2 1/2	3	4
63	5	7	3		
75	3	4			
85					

IJB 06 AL



Maximum number of cable glands

M	Side		NPT	Side	
	A/B	C/D		A/B	C/D
12			1/2	40	48
16			3/4	26	30
20	40	48	1	23	26
25	26	30	1 1/4	14	17
32	23	26	1 1/2	9	11
40	14	17	2	7	8
50	9	11	2 1/2	4	5
63	7	8	3		
75	4	5			
85					

