

# CH 10 PV - Fuse-links



### General characteristics

Rated voltage	700V a.c./d.c. L/R=2ms
Breaking capacity	30kA a.c./d.c.
Standards	IEC 60269-4
Characteristic	gR

### CH 10 PV

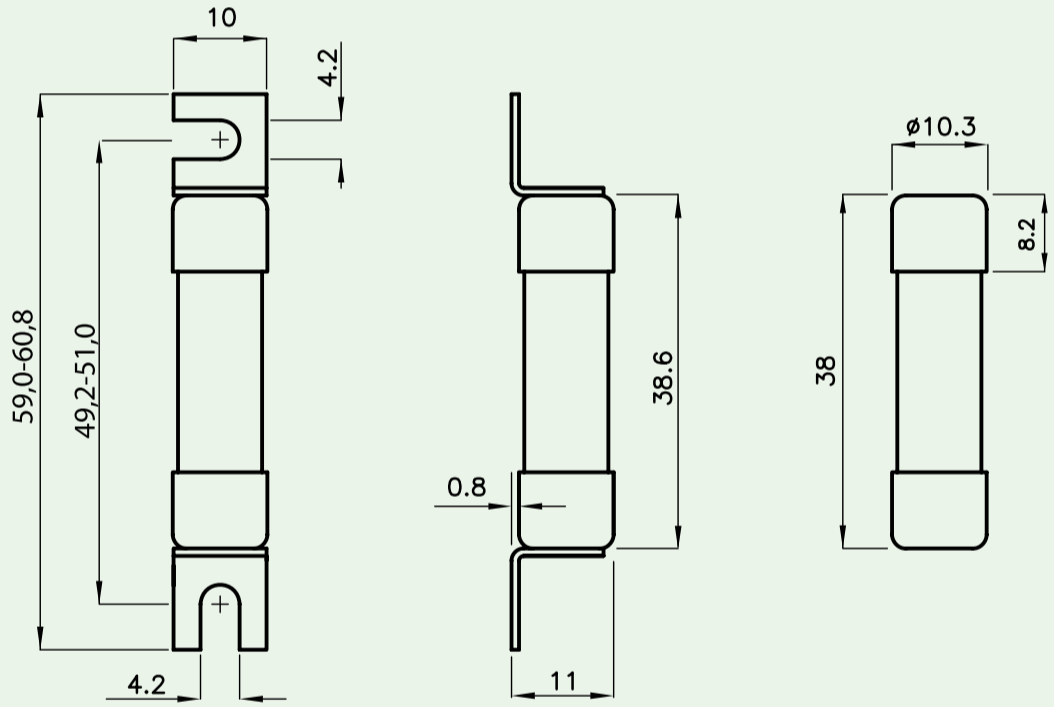
Size	$I_n$ [A]	Code No. "standard contacts"	Code No. "type SU contacts"	Pre-arcing Joule integral [A <sup>2</sup> s] L/R=2ms	Operating Joule integral [A <sup>2</sup> s] L/R=2ms	Power dissipation [0,7 x I <sub>n</sub> ] P <sub>d</sub> [W]	Power dissipation [I <sub>n</sub> ] P <sub>d</sub> [W]	Weight [g]	Packaging [pcs]
<b>10 x 38</b>	2	002625017	002625300	1,2	1,41	0,44	1,10	10/12	10/500 SU:10/380
	4	002625018	002625301	7,6	28	0,55	1,30		
	6	002625019	002625302	14	63	0,73	1,70		
	8	002625020	002625303	30	98	0,70	1,62		
	10	002625021	002625304	20	73	0,98	2,44		
	12	002625022	002625305	48	122	0,82	1,85		
	16	002625023	002625306	97	182	1,06	2,61		
	20	002625024	002625307	164	301	1,27	3,00		
	25	002625025	002625308	246	434	1,61	4,00		



Type SU  
Contacts



Standard  
Contacts



Tamb (°C)	A1
-20	1,196
-10	1,153
0	1,109
10	1,063
20	1,015
30	0,964
40	0,911
50	0,854
60	0,794
70	0,728
80	0,656

**CH10x38 PV temperature derating factor**

